



园牌卡盘

ZHE JIANG YUANPAI MACHINE TOOL ACCESSORY CO., LTD

国家卡盘标准起草单位 >>>

**YUAN PAI CHUCK**

DRAFT OUT NATIONAL CHUCK  
INDUSTRY STANDARD



OUR CORPORATION HAVE BEEN  
CERTIFIED BY ISO9001:2000





# YUAN PAI CHUCK





# ENTERPRISE HONOR

# 企业荣誉





# SELF-CENTRING CHUCK STRUCTURE

## 「自定心卡盘结构」



### 爪的种类

### DIFFERENT TYPES OF JAWS

#### 整体爪 ONE-PIECE JAWS

#### 分离爪 TWO-PIECE JAWS



软爪  
SOFT JAW



正爪  
INTERNAL JAW



反爪  
EXTERNAL JAW



软顶爪(平)  
SOFT TOP JAW



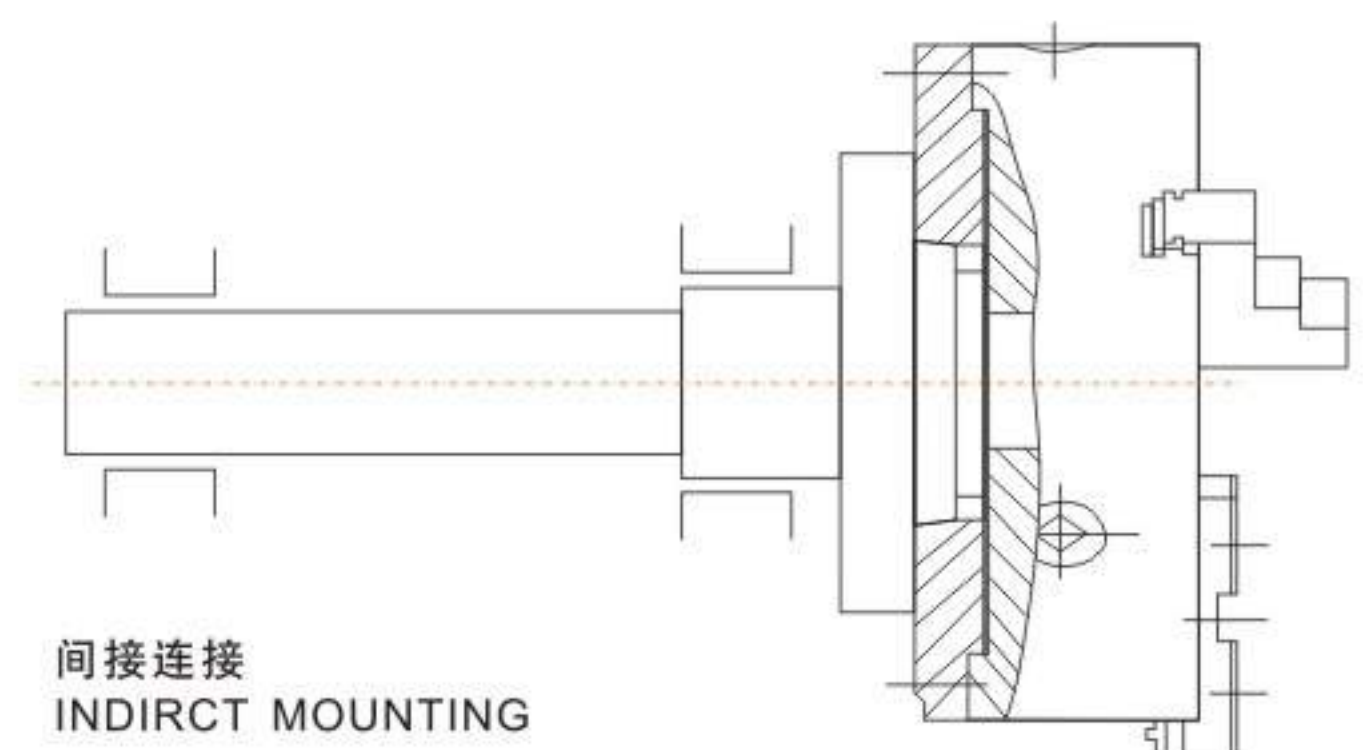
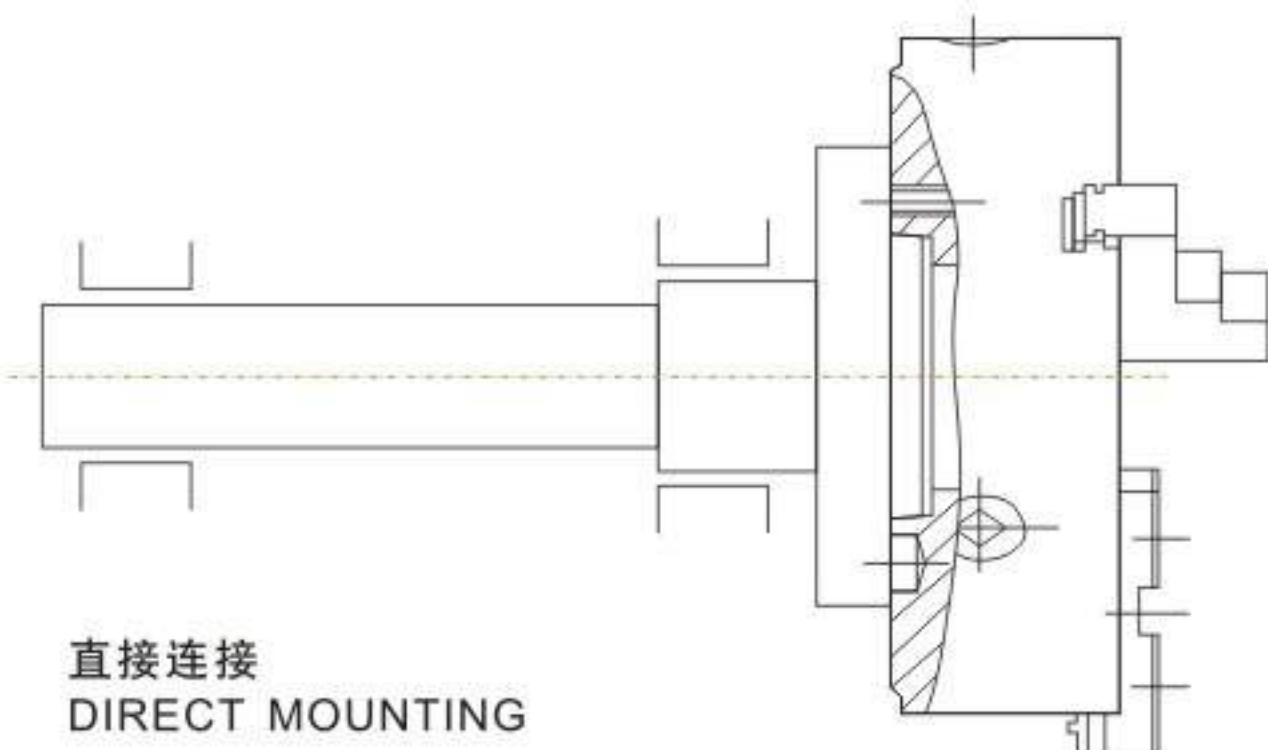
硬顶爪  
TOP JAW



基爪  
MASTER JAW

### 与主轴连接形式

### MOUNTING TYPES TO THE SPINDLE NOSES OF THE MACHINE TOOLS.





# TYPE GUIDE

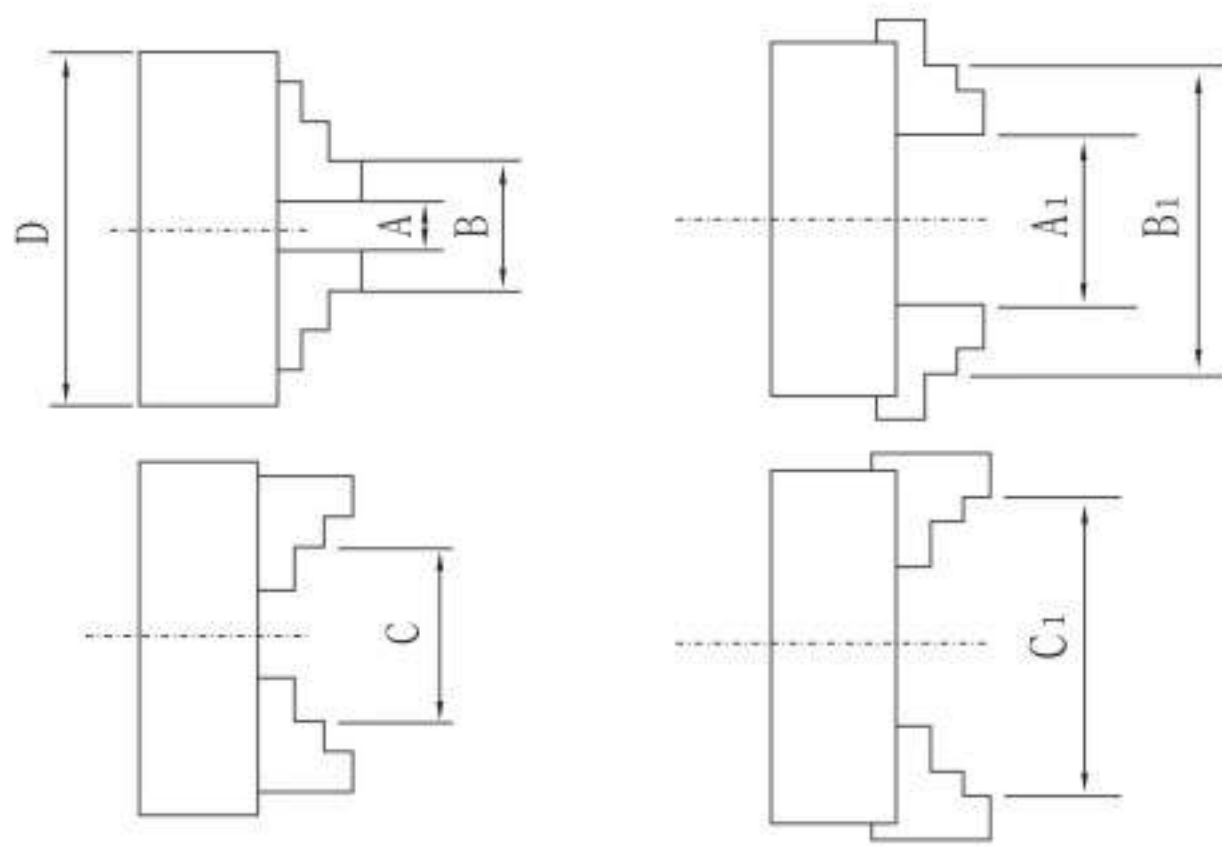
## 选型指南

我公司主要生产全系列机床用手动自定心卡盘和全系列四爪单动卡盘。  
为方便你对我公司产品的使用，现将我公司主要产品夹持参数介绍如下：

We mainly produce full range of manual operating self-centring chucks and 4 jaw independent chucks for lathe machine use for the convenience of users. The main products and their general technical features are shown below.

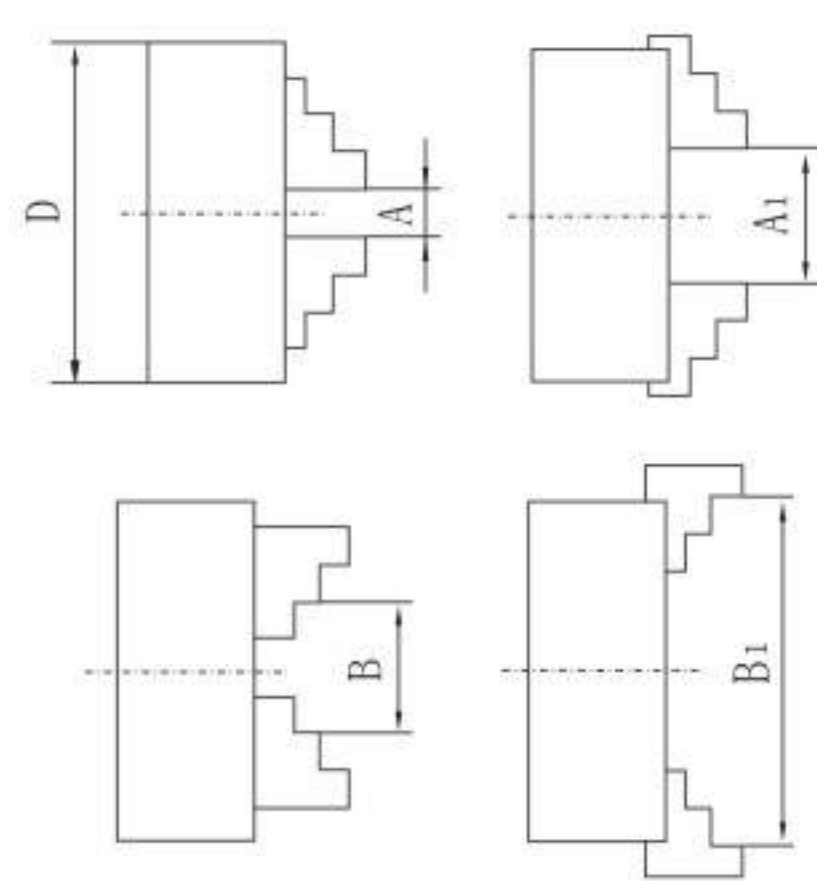
### 三爪自定心卡盘夹持范围

Three-jaw Self-centring Chucks Clamping Range.



### 四爪单动卡盘夹持范围

Four-jaw independent Chucks Clamping Range.



#### 夹持范围 Clamping Range

规格D MODEL D Size	正爪 Internal Jaws		反爪 External Jaws
	夹紧范围 Clamping range	撑紧范围 Clamping range	夹紧范围 Clamping range
	A-A1	B-B1	C-C1
80	2~22	25~70	22~63
100	2~30	30~90	30~80
125	2.5~40	38~125	38~110
130	3~40	40~130	40~120
160	3~55	50~160	55~145
165	4~60	52~165	55~150
190	4~70	65~190	65~190
200	4~85	65~200	65~200
240	6~100	80~250	90~250
250	6~110	80~250	90~250
315	10~140	95~315	100~315
320	10~140	95~320	100~320
325	10~140	95~325	100~325
380	15~210	120~380	120~380
400	15~210	120~400	120~400
500	25~280	150~500	150~500
630	50~350	170~630	170~630
800	150~450	300~800	300~800
1000	290~600	430~1000	430~1000

#### 夹持范围 Clamping Range

规格D MODEL D Size	正卡爪夹紧范围 Internal Jaws clamping range	反卡爪夹紧范围 External Jaws clamping range
	A-A1	B-B1
	80	5~35
100	6~45	40~100
125	7~57	48~125
160	8~80	50~160
200	10~100	63~200
250	15~130	80~250
300	20~156	100~300
315	20~170	100~315
320	20~176	100~320
350	20~206	100~350
400	25~250	118~400
500	35~300	125~500
630	50~400	160~630
800	70~540	200~800
1000	100~680	250~1000



2

TWO-JAW

SELF-CENTRING CHUCK

二爪自定心卡盘



产品以实物为准，参数若有变更，恕不另行通知。  
Please consult the product obtained.

There is no prior notification if there is any change to the date.

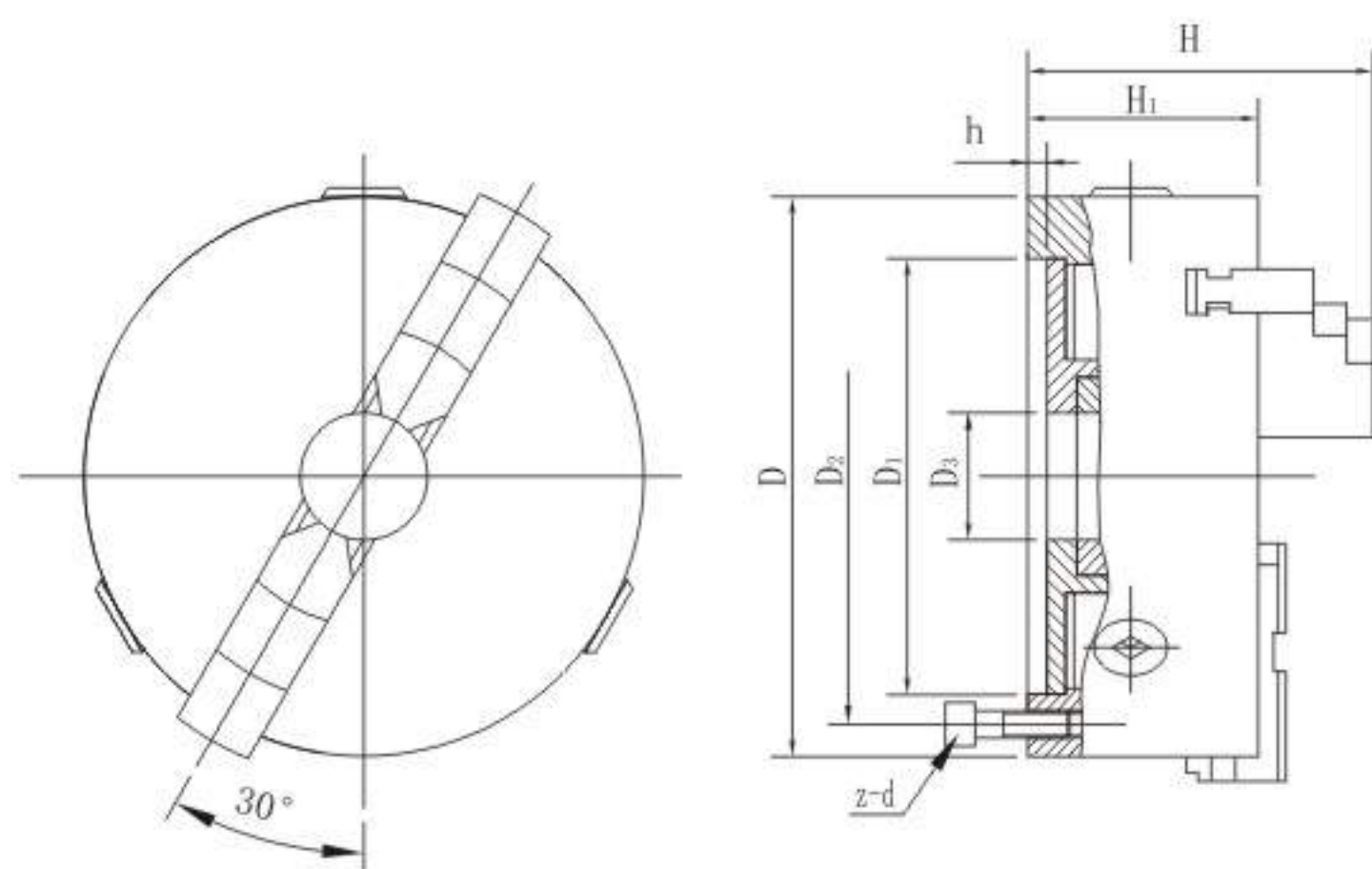
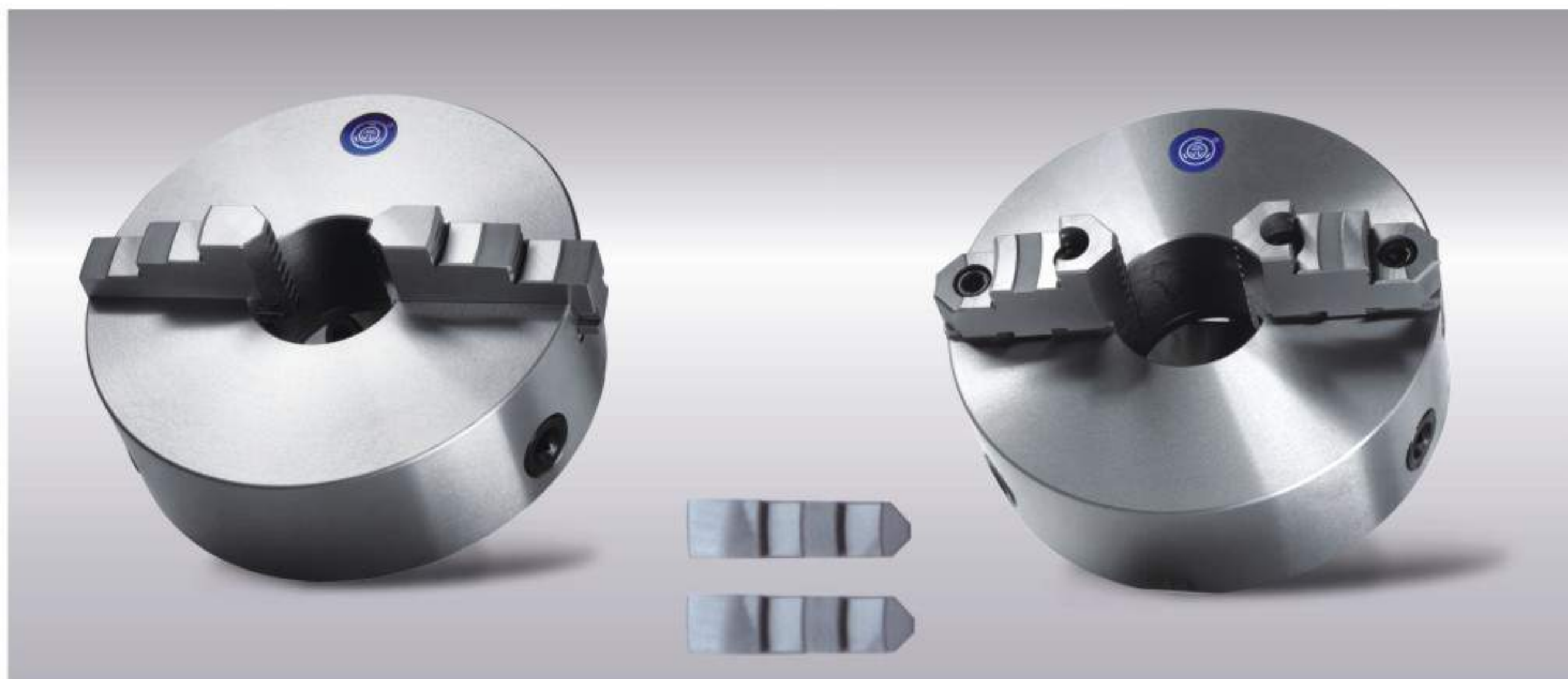


# K10 SERIES.....

## TWO-JAW

## SELF-CENTRING CHUCK

## K10系列二爪自定心卡盘



### 说明 Explain

K10型二爪自定心卡盘为分离爪结构配带软卡爪，适用于加工各种异形工件，如管件、矩形截面零件等不规则形体零件。用户可根据零件形状改制成适宜的夹持方式，经随机配车(磨)后获得较高定心精度，满足夹持要求。

K10 series Two-jaw Self-centring chuck is of separate jaws and comes with soft jaws It is suitable for processing various special shaped workpieces, such as tube, rectangular section accessories and so on. Users may change the plate to a certain holding style according to needs. Higher centring accuracy can be achieved after being rubbed on the machine, so as to satisfy the need for holding.

### 规格表 Specifications

规格/型式 SEPC./MODEL	D1	D2	D3	H	H1	h	z-d
K10160	130	142	40	95	65	5	3-M8
K10160A	130	142	40	109	65	5	3-M8
K10165	130	145	40	95	65	5	3-M8
K10165A	130	145	40	109	65	5	3-M8
K10200	165	180	65	109	75	5	3-M10
K10200A	165	180	65	122	75	5	3-M10
K10250	206	226	80	120	80	5	3-M12
K10250A	206	226	80	133	80	5	3-M12
K10315	260	285	100	142.5	90	6	3-M16
K10315A	260	285	100	155.5	90	6	3-M16
K10320	270	290	100	142.5	90	6	3-M16
K10320A	270	290	100	155.5	90	6	3-M16
K10325	272	290	100	142.5	90	6	3-M16
K10325A	272	290	100	155.5	90	6	3-M16
K10380	325	350	130	155.5	100	6	3-M16
K10380A	325	350	130	170.5	100	6	3-M16
K10400	340	368	130	155.5	100	6	3-M16
K10400A	340	368	130	170.5	100	6	3-M16



3

THREE-JAW  
SELF-CENTRING CHUCK

三爪自定心卡盘 ▶

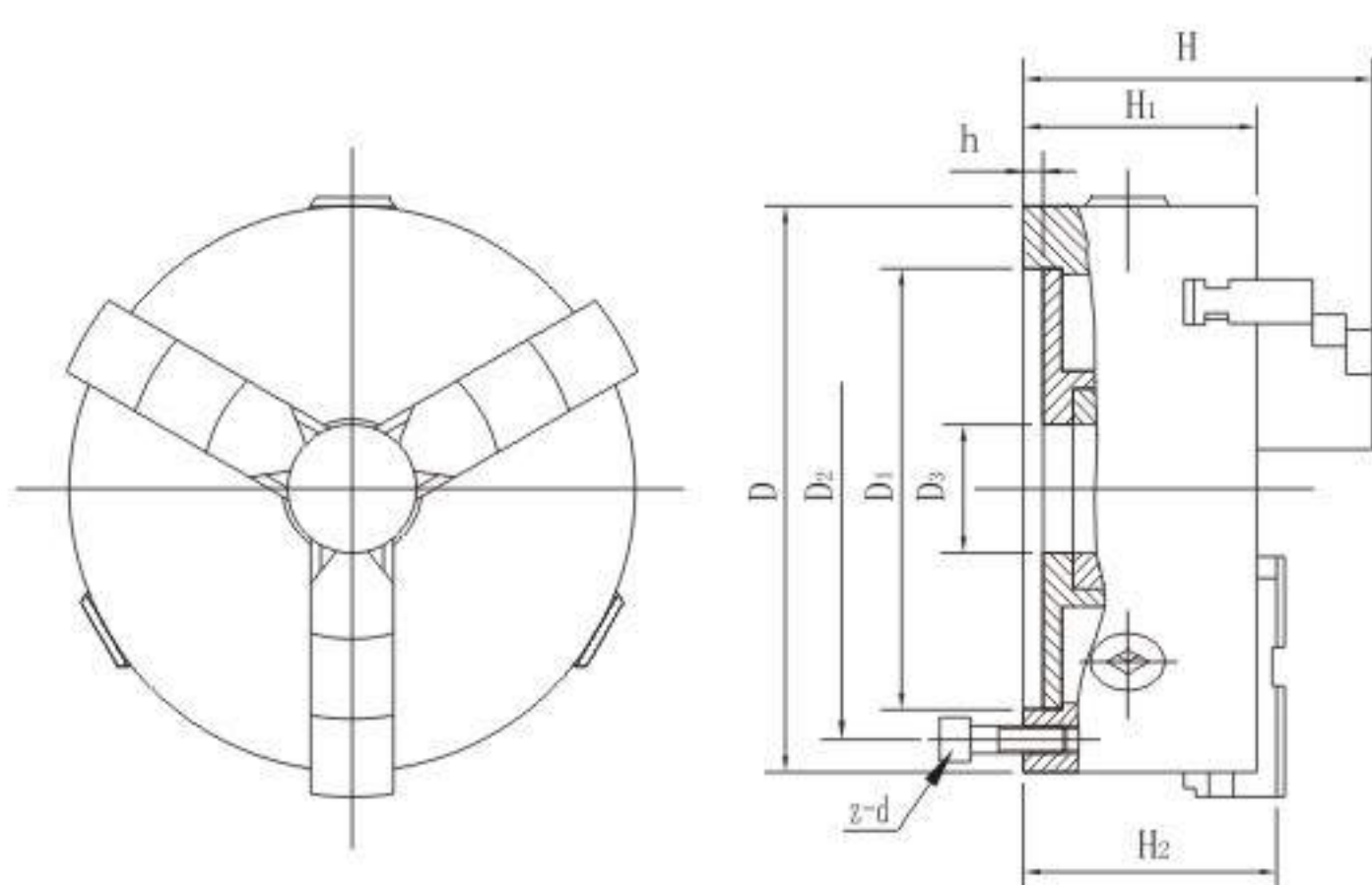




# K11 SERIES ..... THREE-JAW

## SELF-CENTRING CHUCK

## K11系列三爪自定心卡盘



### 说明 Explain

K11型三爪自定心卡盘为K11、K11A二种型号。K11型配带正爪和反爪各一副，可分别使用，K11A型配带符合ISO3442标准的分离爪。并可根据用户提供软卡爪，经随机配车(磨)后可获得较高定心精度，满足夹持要求。

K11 series Three-jaw Self-centring chuck is subdivided into two types, K11, K11A. Type K11 provides two sets of jaws in different directions which can be used respectively. Type K11A provides ISO3442 standard jaws. Soft jaws are to be provided on request. Higher centring accuracy can be achieved after being rubbed on the machine, so as to satisfy the need for holding.

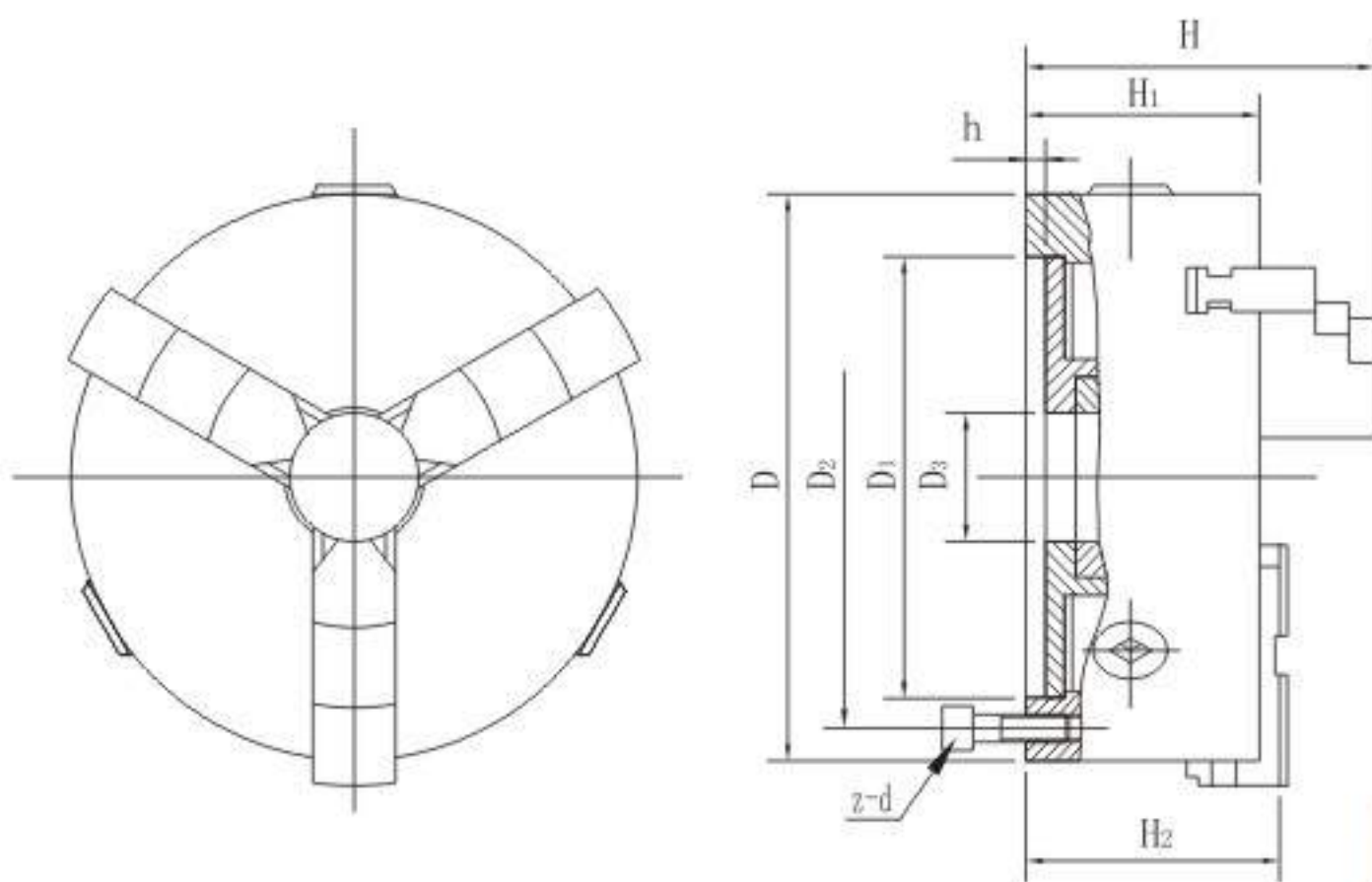
### 规格表 Specifications

规格/型式 SEPC. / MODEL	D1	D2	D3	H	H1	H2	h	z-d
K1180	55	66	16	66	50	-	3.5	3-M6
K11100	72	84	22	74.5	55	-	3.5	3-M8
K11125	95	108	30	85	58	-	4	3-M8
K11130	100	115	30	85	58	-	4	3-M8
K11160	130	142	40	95	65	-	5	3-M8
K11160A	130	142	40	109	65	71	5	3-M8
K11165	130	145	40	95	65	-	5	3-M8
K11165A	130	145	40	109	65	71	5	3-M8
K11190	155	172	55	109	75	-	5	3-M10
K11190A	155	172	55	122	75	80	5	3-M10
K11200	165	180	65	109	75	-	5	3-M10
K11200A	165	180	65	122	75	80	5	3-M10
K11240	195	215	70	120	80	-	8	3-M12
K11240A	195	215	70	133	80	85	8	3-M12
K11250	206	226	80	120	80	-	5	3-M12
K11250A	206	226	80	133	80	85	5	3-M12
K11315	260	285	100	142.5	90	-	6	3-M16
K11315A	260	285	100	155.5	90	96.5	6	3-M16
K11320	270	290	100	142.5	90	-	6	3-M16
K11320A	270	290	100	155.5	90	96.5	6	3-M16
K11325	272	296	100	142.5	90	-	6	3-M16
K11325A	272	296	100	155.5	90	96.5	6	3-M16
K11380	325	350	130	155.5	100	-	6	3-M16
K11380A	325	350	130	170.5	100	96.5	6	3-M16
K11400	340	368	130	155.5	100	-	6	3-M16
K11400A	340	368	130	170.5	100	108.5	6	3-M16
K11500	440	465	200	176	115	-	6	6-M16
K11500A	440	465	200	203	115	123	6	6-M16
K11630	560	595	260	192	130	-	7	6-M16
K11630A	560	595	260	218	130	138	7	6-M16
K11800A	710	760	385	249	148	158	8	6-M20
K111000A	910	950	460	266	165	-	8	6-M24
K111250A	910	950	500	281	180	-	10	6-M24



# K11 SERIES ..... THREE-JAW

# SELF-CENTRING CHUCK 德标K11系列三爪自定心卡盘



## 说明 Explain

德标K11系列三爪自定心卡盘，符合DIN6350标准，采用短圆柱连接形式，卡爪型式有整体爪和A型分离爪，A型分离爪符合ISO3442标准，也可根据用户提供软爪，经随机配车（磨）后可获得较高定心精度。

German Standardized 3-jaw Self-centering Chucks are according to DIN 6350. The chucks of this type are mounted to spindle nose through an adapting flange. A set of internal jaws and a set of external jaws are provided with as well as 2-piece jaws. Two-piece jaws are according to ISO3442 Standard. Soft jaws are offered upon users' requests to increase the clamping accuracy by remachining.

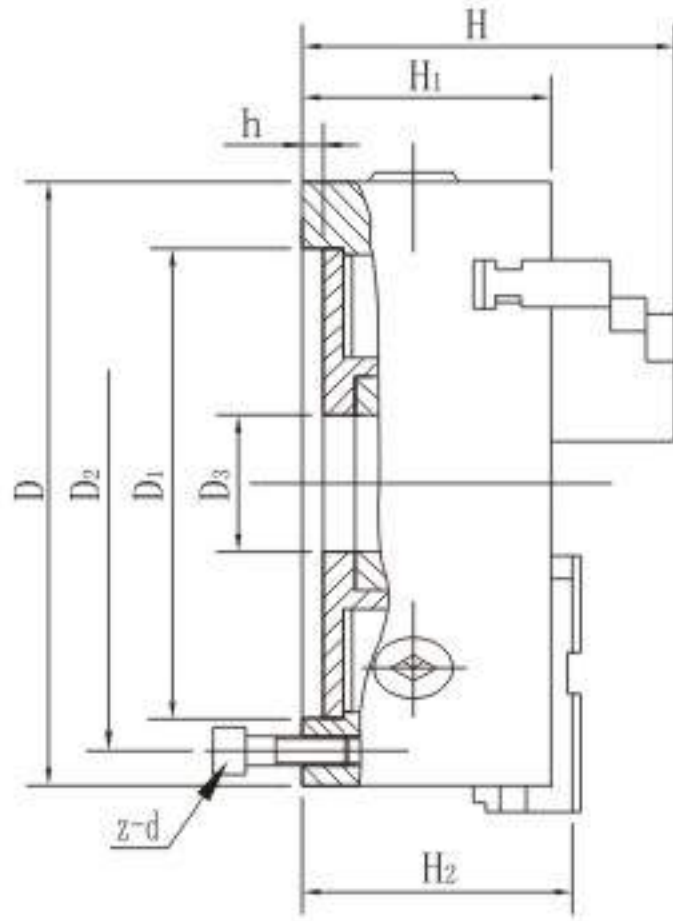
## 规格表 Specifications

规格/型式 SEPC. / MODEL	D1	D2	D3	H	H1	H2	h	z-d
Dk1180	56	67	16	66	50	-	3	3-M6
Dk11100	70	83	22	74.5	55	-	3	3-M8
Dk11125	95	108	30	84	58	-	4	3-M8
Dk11160	125	140	45	95	65	-	4	6-M10
DK11160A	125	140	45	109	65	71	4	6-M10
Dk11200	160	176	65	109	75	-	4	6-M10
DK11200A	160	176	65	122	75	80	4	6-M10
Dk11250	200	224	80	120	80	-	5	6-M12
DK11250A	200	224	80	134.5	80	86	5	6-M12
Dk11315	260	286	104	131.5	90	-	5	6-M16
DK11315A	260	286	104	148.5	90	96.5	5	6-M16
Dk11400	330	362	136	157.5	100	-	5	6-M16
DK11400A	330	362	136	167	100	108.5	5	6-M16
DK11500A	420	458	200	203	115	123	6	6-M16
DK11630A	545	586	260	218	130	138	7	6-M16
DK11800A	710	760	385	249	148	158	8	6-M20
DK111000A	910	950	460	266	165	175	8	6-M24



# K11 SERIES ..... THREE-JAW

# SELF-CENTRING CHUCK 俄标K11系列三爪自定心卡盘



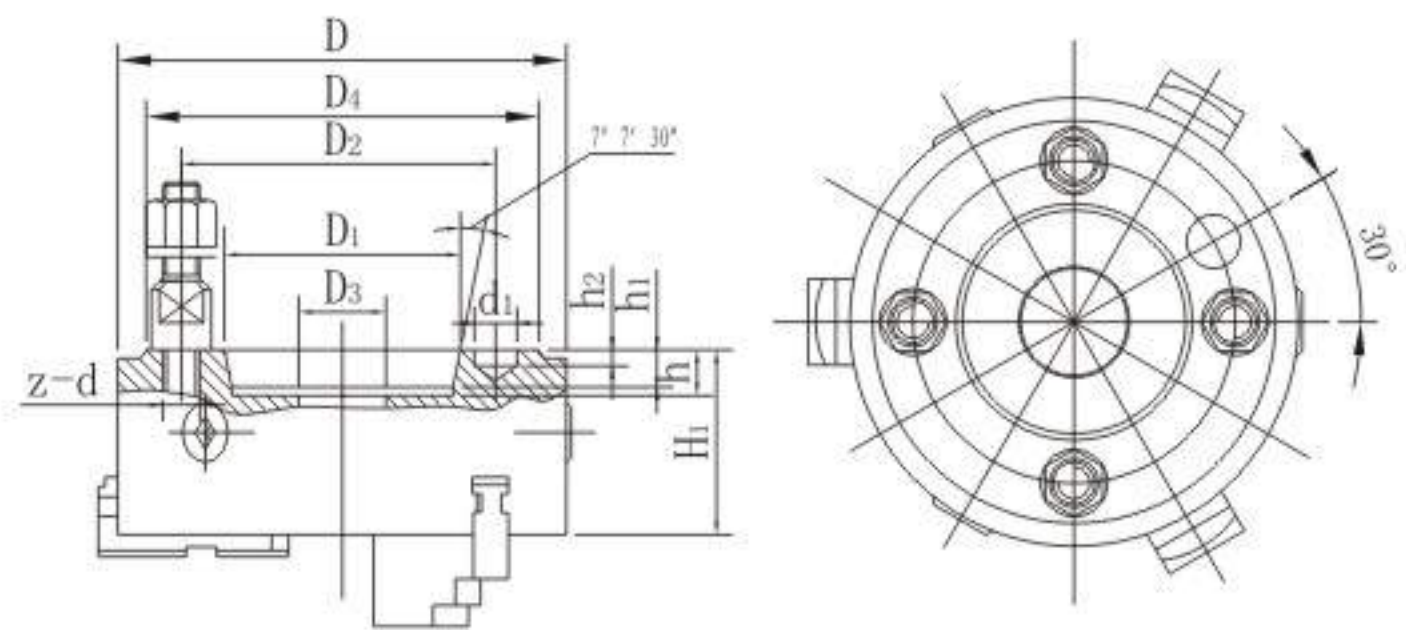
## 说明 Explain

俄标K11系列三爪自定心卡盘，符合ГОСТ2675标准，采用短圆柱连接形式，卡爪型式有整体爪和A型分离爪，A型分离爪符合ISO3442标准，也可以根据用户提供软爪，经随机配车(磨)后，可获得较高定心精度。

Russian Standardized 3-Jaw Self-Centering Chucks adopt short conical connection according to Standard ГОСТ 2675. The jaws have one-piece and two-piece called A type. A type two-piece jaws are according to ISO 3442 Standard. Soft jaws can be provided according to the clients' requests. Higher centering accuracy can be achieved after machining.

## 规格表 Specifications

规格/型式 SEPC. /MODEL	D1	D2	D3	H	H1	H2	h	z-d
7100-0001П	55	66	16	66	50	-	3.5	3-M6
7100-0002П	72	86	22	74.5	55	-	3.5	3-M8
7100-0003П	95	108	30	85	58	-	4	3-M8
7100-0005П	130	142	40	95	65	-	5	3-M8
7100-0007П	165	180	65	109	75	-	5	3-M10
7100-0009П	210	226	80	120	80	-	5	3-M12
7100-0011П	270	290	100	142.5	90	-	6	3-M12
7100-0015П	340	368	130	155.5	100	-	6	3-M16
7100-0017П	440	465	200	176	115	-	6	6-M16



## 规格表 Specifications

二：C型：拨盘/螺栓锁紧连接  
Two: Type C: bolt locking joint

规格/型式 SEPC. /MODEL	D	D1	D2	D3	D4	H1	h	h1	h2	d1	z-d
7100-0033П	200	106.375	133.4	60	170	88	16	13	6.5	19.5	4-M12
7100-0035П	250	106.375	133.4	70	170	95	16	13	6.5	19.5	4-M12
7100-0037П	250	139.719	171.4	80	220	95	18	14	8	24.2	4-M16
7100-0039П	315	106.375	133.4	100	170	112	16	13	6.5	19.5	4-M12
7100-0041П	315	139.719	171.4	100	220	112	18	14	8	24.2	4-M16
7100-0043П	400	139.719	171.4	130	220	122	18	14	8	24.2	4-M16
7100-0045П	400	196.869	235	130	290	122	20	16	10	29.4	6-M20



# K11 SERIES ..... THREE-JAW

## SELF-CENTRING CHUCK

## K11系列三爪自定心卡盘



### K<sub>11</sub>1000A卡盘

是目前国内**最大**的自定心卡盘，能夹持外径**1000mm**的工件

#### 说明 Explain

适用于各种大型车床、铣床、磨床、镗床等机床夹持工件，配合机床完成各种切削加工。该卡盘采用国际上最先进的短锥卡盘设计方法，刚性好；并充分考虑大卡盘的使用特点，在安全、润滑及使用寿命方面有较大的提高，其使用寿命是其它普通卡盘的两倍。

#### 说明 Explain

Is the largest self-centring chucks on the present domestic market. It can clamp the workpieces for 1000MM outside dia and it is also suitable for clamping workpieces on largemachine, milling machine, grinding machine and boring machine and so on. It can cooperate machines to fulfill all kind of their cutting process. This chuck was adopted to the international most advanced design of direct mounting chucks which have nice rigidity and we also fully consider its using characteristics during design, which has bigger enhancement in the security, lubrication and service life. Especially the service life is two times longer than the other normal chucks.



# K11 SERIES DIRECT MOUNTING THREE-JAW

# SELF-CENTRING CHUCK

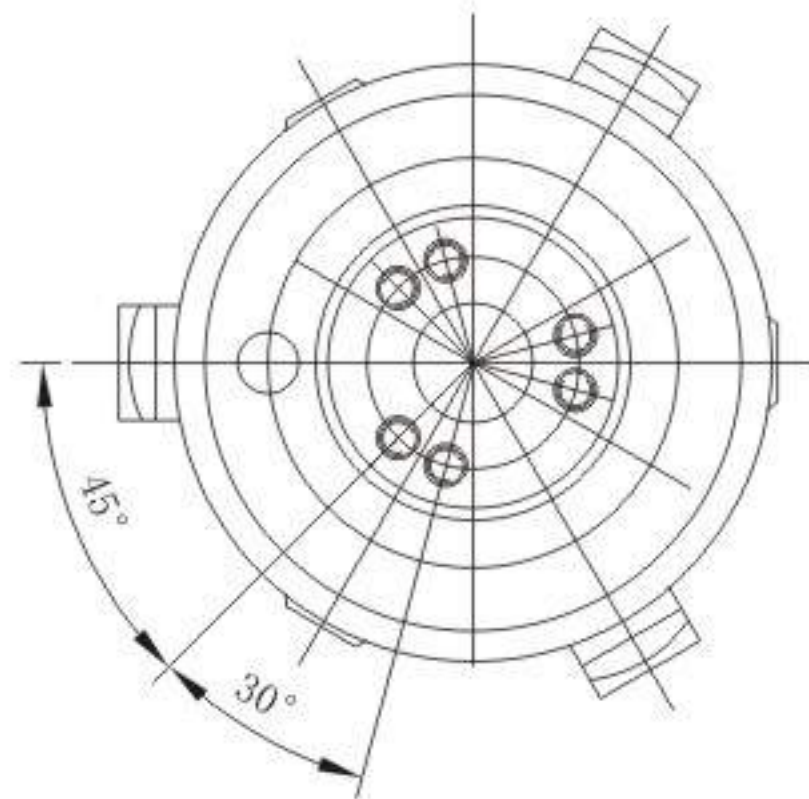
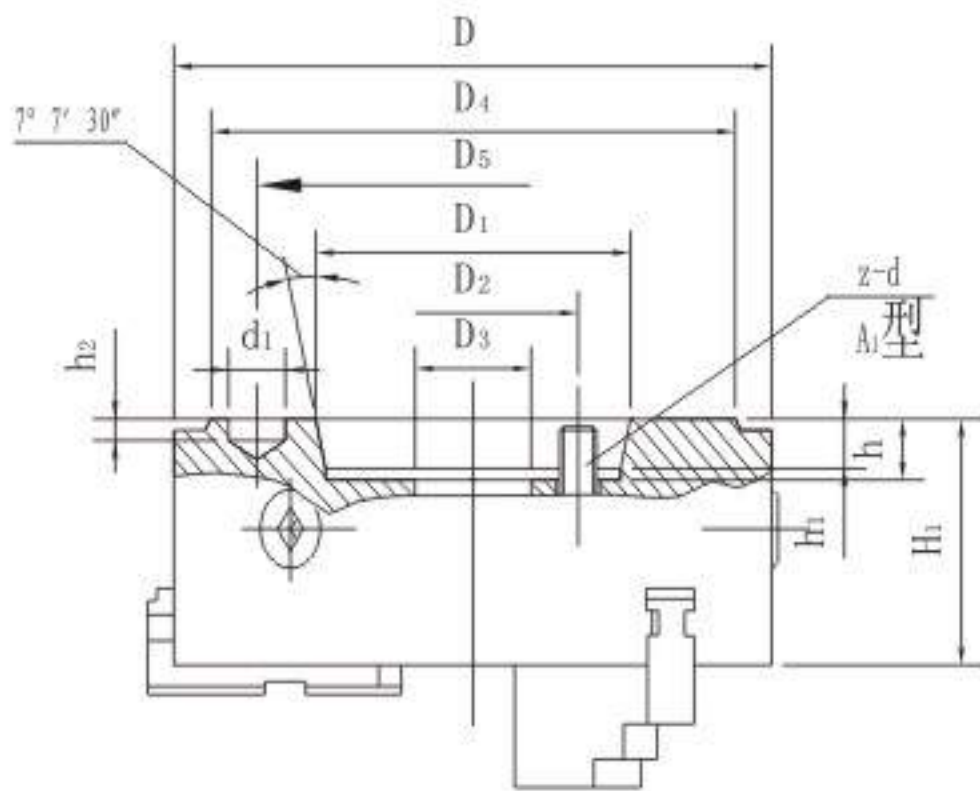
# K11系列短锥三爪自定心卡盘



## 说明 Explain

K11系列短锥三爪自定心卡盘采用短圆锥孔定位，定位精度高，拆装快捷、方便、可靠。按其与机床主轴端部连接型式分为A型(穿通螺钉连接)、C型(拔盘、螺栓锁紧连接)、D型(拉杆、凸轮锁紧连接)三种型式。

K11series Direct Mounting Three-jaw Self-centring chucks adopt short-conical hole centring, which are accurate in centring, easy to remove, convenient and reliable. Three types are divided according to the way of joining with the spindle nose of machines: Type A (joined with screw), Type C (bolt locking joint), Type D (pull rod, cam locking joint).



## 规格表 Specifications

— : A型 : 穿通螺钉连接 One: Type A: Joined with screw  
1 : A1型<内圈螺钉连接> 1: Type A1<Inner screw joint>

规格/型式 SEPC./MODEL	D	D1	D2	D3	D4	D5	H1	h	h1	h2	d1	z-d
K11200/A15、K11200A/A15	200	82.563	61.9	40	133	82.6	93	14.288	12	6.5	16.3	3-M10
K11250/A15、K11250A/A15	250	82.563	61.9	40	133	133.4	104	14.288	12	6.5	16.3	3-M10
K11250/A16、K11250A/A16	250	106.375	82.6	55	165	171.4	104	15.875	13	6.5	19.5	6-M12
K11315/A16、K11315A/A16	315	106.375	82.6	55	165	171.4	114	15.875	13	6.5	19.5	6-M12
K11315/A18、K11315A/A18	315	139.719	111.1	78	210	235	116	17.462	14	8	24.2	6-M16
K11320/A16、K11320A/A16	320	106.375	82.6	55	165	235	114	15.875	13	6.5	19.5	6-M12
K11320/A18、K11320A/A18	320	139.719	111.1	78	210	330.2	116	17.462	14	8	24.2	6-M16
K11325/A16、K11325A/A16	325	106.375	82.6	55	165	330.2	114	15.875	13	6.5	19.5	6-M12
K11325/A18、K11325A/A18	325	139.719	111.1	78	210	463.6	116	17.462	14	8	24.2	6-M16
K11380/A18、K11380A/A18	380	139.719	111.1	78	210	330.2	128	17.462	14	8	24.2	6-M16
K11400/A18、K11400A/A18	400	139.719	111.1	78	210	463.6	128	17.462	14	8	24.2	6-M16
K11500/A111、K11500A/A111	500	196.869	165.1	125	280	235	145	19.050	16	10	29.4	6-M20
K11500/A115、K11500A/A115	500	285.775	247.6	200	380	330.2	145	20.638	17	10	35.7	6-M24



# K11 SERIES DIRECT MOUNTING

# THREE-JAW

# SELF-CENTRING CHUCK

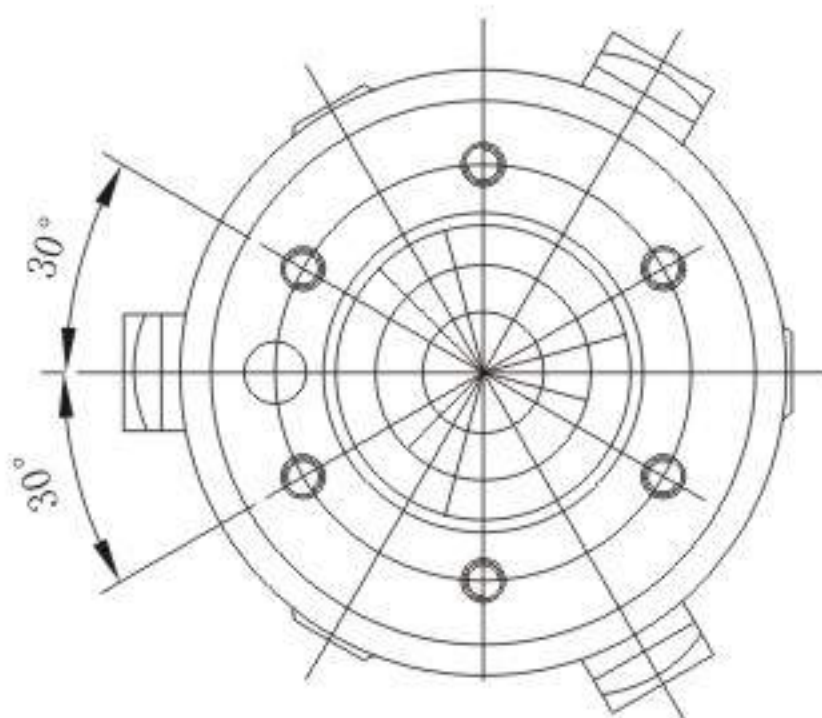
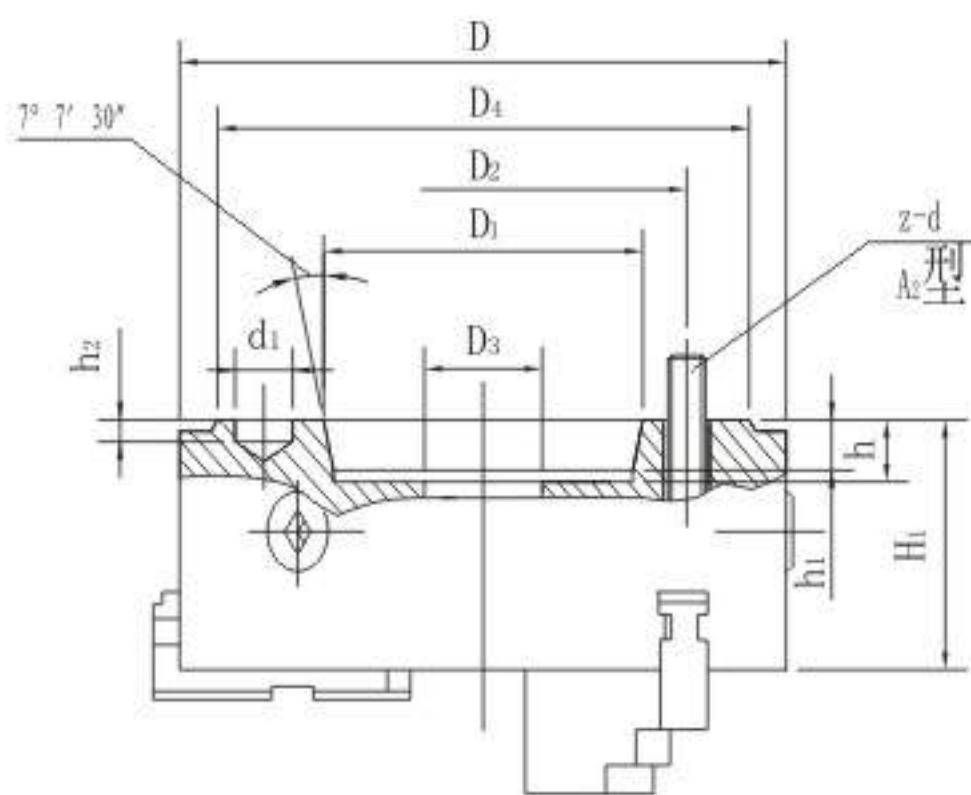
# K11系列短锥三爪自定心卡盘



## 说明 Explain

K11系列短锥三爪自定心卡盘采用短圆锥孔定位，定位精度高，拆装快捷、方便、可靠。按其于机床主轴端部连接型式分为A型(穿通螺钉连接)、C型(拔盘、螺栓锁紧连接)、D型(拉杆、凸轮锁紧连接)三种型式。

K11series Direct Mounting Three-jaw Self-centring chucks adopt short-conical hole centring, which are accurate in centring, easy to remove, convenient and reliable. Three types are divided according to the way of joining with the spindle nose of machines: Type A (joined with screw), Type C (bolt locking joint), Type D (pull rod, cam locking joint).



## 规格表 Specifications

2:A2型<外圈螺钉连接>  
2:Type A2<Outer screw joint>

规格/型式 SEPC./MODEL	D	D1	D2	D3	D4	H1	h	h1	h2	d1	z-d
K11200/A24、K11200A/A24	200	63.513	82.6	60	108	88	-	10	6.5	14.7	3-M10
K11320/A26、K11320A/A26	320	106.375	133.4	100	165	112	16	13	6.5	19.5	6-M12
K11380/A28、K11380A/A28	380	139.719	171.4	130	210	122	18	14	8	24.2	6-M16
K11400/A28、K11400A/A28	400	139.719	171.4	130	210	122	18	14	8	24.2	6-M16
K11500A/A211	500	196.869	235	190	280	135	20	16	10	29.4	6-M20
K11630A/A211	630	196.869	235	190	280	160	20	16	10	29.4	6-M20
K11630A/A215	630	285.775	330.2	200	380	160	21	17	10	35.7	6-M24
K11800A/A215	800	285.775	330.2	280	380	186	21	17	10	35.7	6-M24
K11800A/A220	800	412.775	463.6	385	520	186	23	19	10	42.1	6-M24
K111000A/A215	1000	285.775	330.2	280	380	208	21	17	10	35.7	6-M24
K111000A/A220	1000	412.775	463.6	400	520	208	23	19	10	42.1	6-M24



# K11 SERIES DIRECT MOUNTING THREE-JAW

# SELF-CENTRING CHUCK

# K11系列短锥三爪自定心卡盘



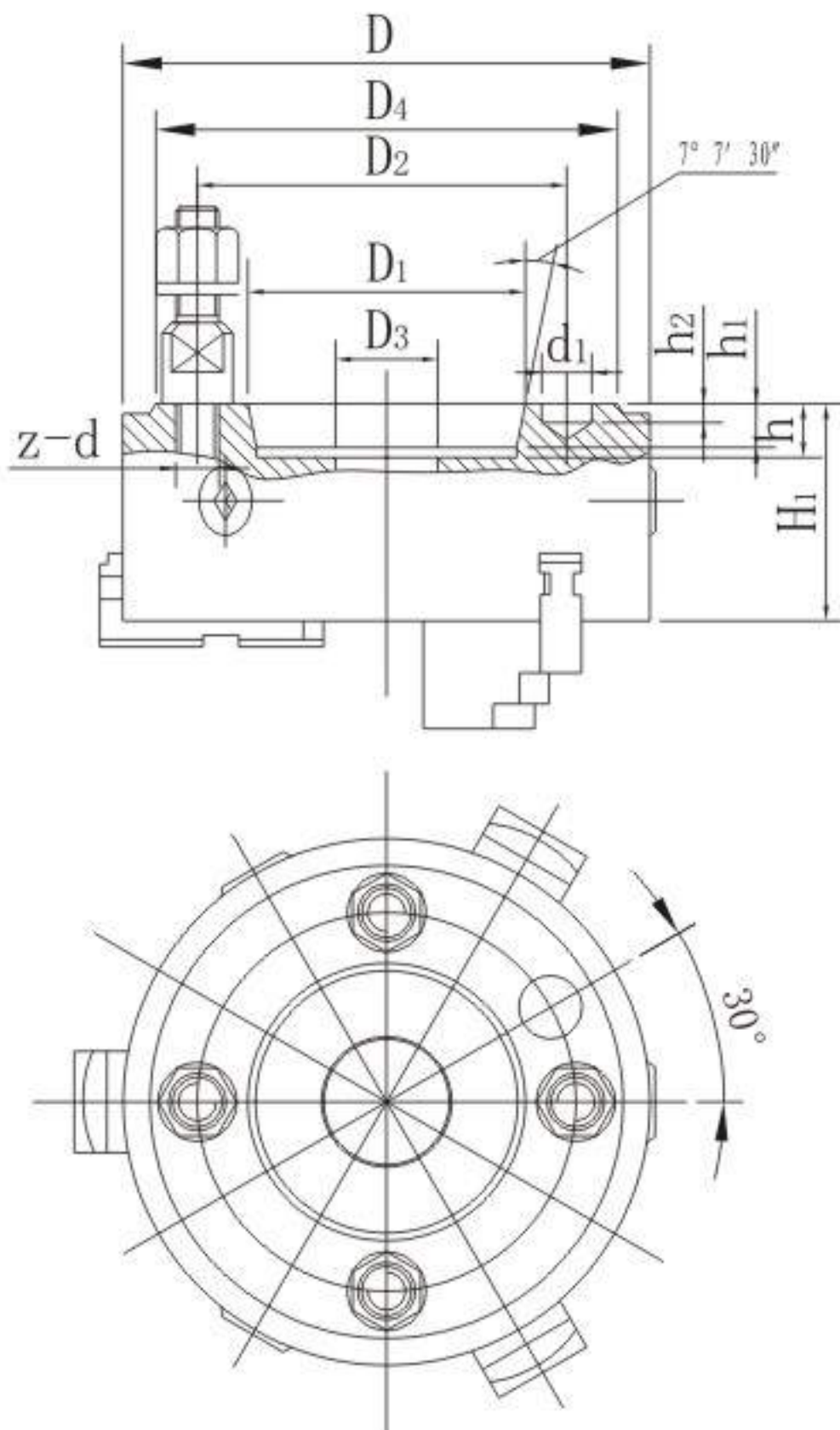
## 说明 Explain

K11系列短锥三爪自定心卡盘采用短圆锥孔定位，定位精度高，拆装快捷、方便、可靠。按其于机床主轴端部连接型式分为A型(穿通螺钉连接)、C型(拨盘、螺栓锁紧连接)、D型(拉杆、凸轮锁紧连接)三种型式。

K11series Direct Mounting Three-jaw Self-centering chucks adopt short-conical hole centring, which are accurate in centring, easy to remove, convenient and reliable. Three types are divided according to the way of joining with the spindle nose of machine tool; Type A (joined with screw), Type C (bolt locking joint), Type D (pull rod, cam locking joint).

## 规格表 Specifications

二：C型：拨盘/螺栓锁紧连接  
Two: Type C: bolt locking joint



规格/型式 SEPC. / MODEL	D	D1	D2	D3	D4	H1	h	h1	h2	d1	z-d
K11125/C3	125	53.975	75	25	102	63	13	10	-	-	3-M10
K11125/C4	125	63.513	85	25	112	63	13	10	6.5	14.7	3-M10
K11160/C3, K11160A/C3	160	53.975	75	40	102	78	13	10	-	-	3-M10
K11160/C4, K11160A/C4	160	63.513	85	40	112	78	13	10	6.5	14.7	3-M10
K11160/C5, K11160A/C5	160	82.563	104.8	40	135	78	15	12	6.5	16.3	4-M10
K11200/C4, K11200A/C4	200	63.513	85	60	112	88	-	10	6.5	14.7	3-M10
K11200/C5, K11200A/C5	200	82.563	104.8	50	135	88	15	12	6.5	16.3	4-M10
K11200/C6, K11200A/C6	200	106.375	133.4	60	170	88	16	13	6.5	19.5	4-M12
K11250/C5, K11250A/C5	250	82.563	104.8	79	135	95	-	12	6.5	16.3	4-M10
K11250/C6, K11250A/C6	250	106.375	133.4	70	170	95	16	13	6.5	19.5	4-M12
K11250/C8, K11250A/C8	250	139.719	171.4	80	220	95	18	14	8	24.2	4-M16
K11315/C6, K11315A/C6	315	106.375	133.4	100	170	112	16	13	6.5	19.5	4-M12
K11315/C8, K11315A/C8	315	139.719	171.4	100	220	112	18	14	8	24.2	4-M16
K11315/C11, K11315A/C11	315	196.869	235	100	290	112	20	16	10	29.4	6-M20
K11320/C6, K11320A/C6	320	106.375	133.4	100	170	112	16	13	6.5	19.5	4-M12
K11320/C8, K11320A/C8	320	139.719	171.4	100	220	112	18	14	8	24.2	4-M16
K11320/C11, K11320A/C11	320	196.869	235	100	290	112	20	16	10	29.4	6-M20
K11325/C6, K11325A/C6	325	106.375	133.4	100	170	112	16	13	6.5	19.5	4-M12
K11325/C8, K11325A/C8	325	139.719	171.4	100	220	112	18	14	8	24.2	4-M16
K11325/C11, K11325A/C11	325	196.869	235	100	290	112	20	16	10	29.4	6-M20
K11380/C8, K11380A/C8	380	139.719	171.4	130	220	122	18	14	8	24.2	4-M16
K11380/C11, K11380A/C11	380	196.869	235	130	290	122	20	16	10	29.4	6-M20
K11400/C8, K11400A/C8	400	139.719	171.4	130	220	122	18	14	8	24.2	4-M16
K11400/C11, K11400A/C11	400	196.869	235	130	290	122	20	16	10	29.4	6-M20
K11500/C11, K11500A/C11	500	196.869	235	190	290	135	-	16	10	29.4	6-M20
K11500/C15, K11500A/C15	500	258.775	330.2	200	400	135	21	17	10	35.7	6-M24
K11630/C11, K11630A/C11	630	196.869	235	190	290	150	-	16	10	29.4	6-M20
K11630/C15, K11630A/C15	630	285.775	330.2	260	400	150	21	17	10	35.7	6-M24



# K11 SERIES DIRECT MOUNTING THREE-JAW

## SELF-CENTRING CHUCK

### K11系列短锥三爪自定心卡盘



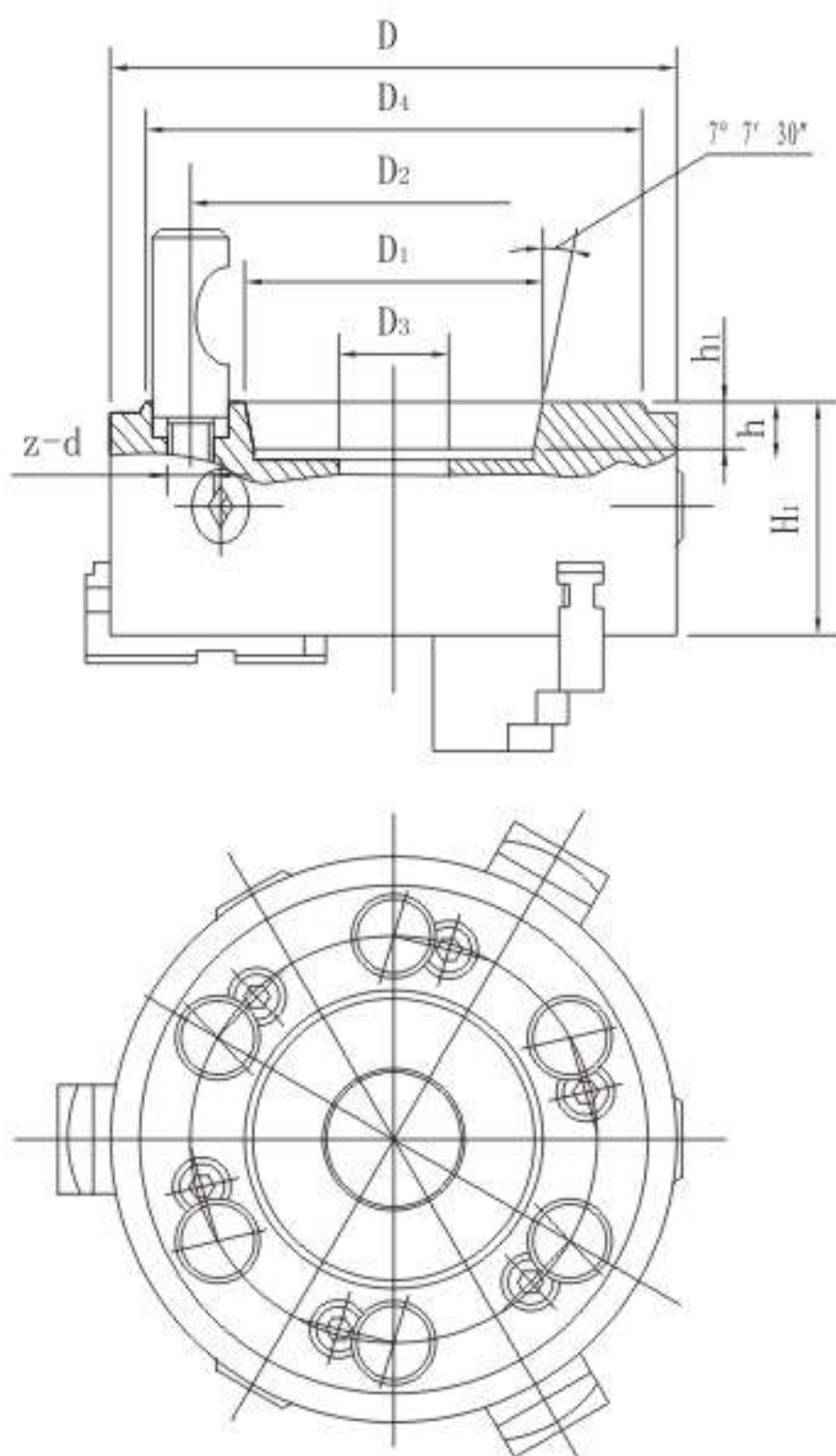
#### 说明 Explain

K11系列短锥三爪自定心卡盘采用短圆锥孔定位，定位精度高，拆装快捷、方便、可靠。按其于机床主轴端部连接型式分为A型(穿通螺钉连接)、C型(拨盘、螺栓锁紧连接)、D型(拉杆、凸轮锁紧连接)三种型式。

K11series Direct Mounting Three-jaw Self-centring chucks adopt short-conical hole centring, which are accurate in centring, easy to remove, convenient and reliable. Three types are divided according to the way of joining with the spindle nose of machine tool; Type A (joined with screw), Type C (bolt locking joint), Type D (pull rod, cam locking joint).

#### 规格表 Specifications

三：D型：拉杆/凸轮锁紧连接  
Three: Type D: pull rod, cam locking joint



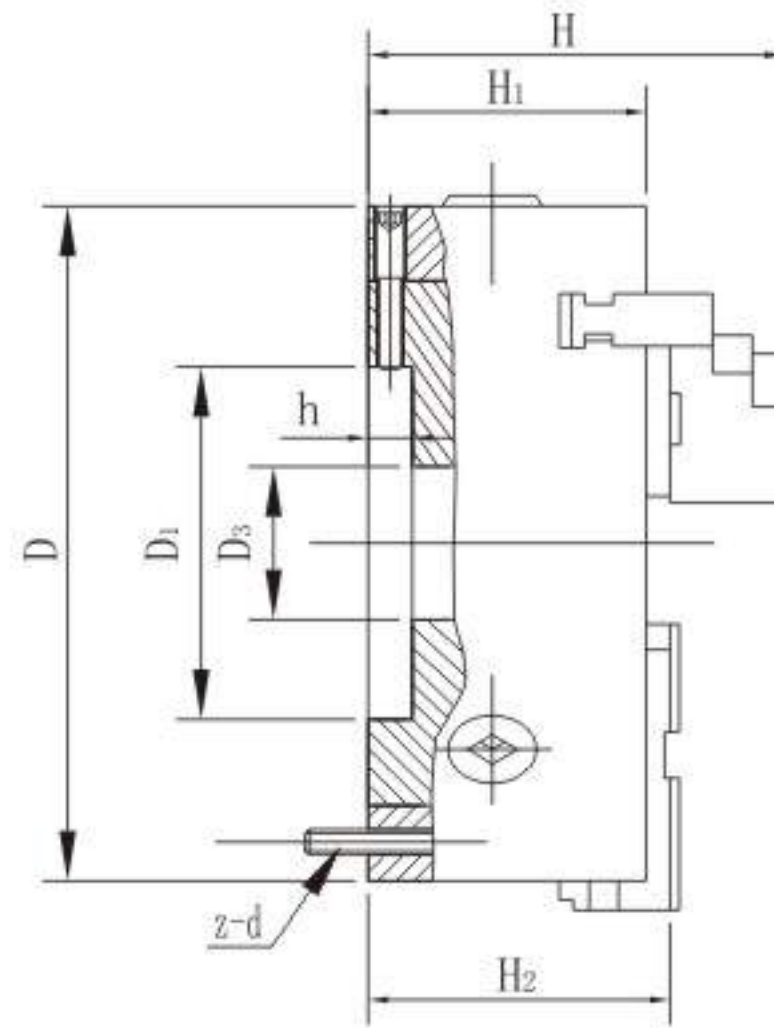
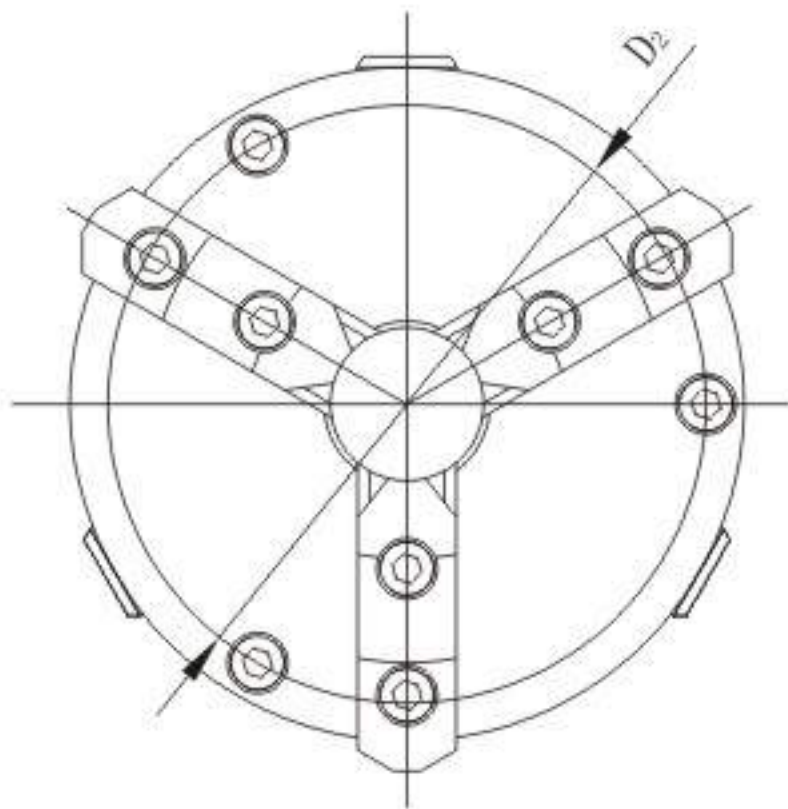
规格/型式 SEPC./MODEL	D	D1	D2	D3	D4	H1	h	h1	z-d
K11125/D3	125	53.975	70.6	25	92	63	13	10	3-M10X1
K11125/D4	125	63.513	82.6	25	117	63	13	10	3-M10X1
K11160/D3, K11160A/D3	160	53.975	70.6	40	92	80	13	10	3-M10X1
K11160/D4, K11160A/D4	160	63.513	82.6	40	117	73	13	10	3-M10X1
K11160/D5, K11160A/D5	160	82.563	104.8	40	146	78	15	12	6-M12X1
K11200/D4, K11200A/D4	200	63.513	82.6	60	117	88	-	10	3-M10X1
K11200/D5, K11200A/D5	200	82.563	104.8	50	146	88	15	12	6-M12X1
K11200/D6, K11200A/D6	200	106.375	133.4	60	181	88	16	13	6-M16X1.5
K11250/D5, K11250A/D5	250	82.563	104.8	79	146	95	-	12	6-M12X1
K11250/D6, K11250A/D6	250	106.375	133.4	70	181	95	16	13	6-M16X1.5
K11250/D8, K11250A/D8	250	139.719	171.4	80	225	98	18	14	6-M20X1.5
K11315/D6, K11315A/D6	315	106.375	133.4	100	181	112	16	13	6-M16X1.5
K11315/D8, K11315A/D8	315	139.719	171.4	105	225	112	18	14	6-M20X1.5
K11315/D11, K11315A/D11	315	196.869	235	100	298	112	20	16	6-M22X1.5
K11320/D6, K11320A/D6	320	106.375	133.4	100	181	112	16	13	6-M16X1.5
K11320/D8, K11320A/D8	320	139.719	171.4	105	225	112	18	14	6-M20X1.5
K11320/D11, K11320A/D11	320	196.869	235	100	298	112	20	16	6-M22X1.5
K11325/D6, K11325A/D6	325	106.375	133.4	100	181	112	16	13	6-M16X1.5
K11325/D8, K11325A/D8	325	139.719	171.4	105	225	112	18	14	6-M20X1.5
K11325/D11, K11325A/D11	325	196.869	235	100	298	112	20	16	6-M22X1.5
K11380/D8, K11380A/D8	380	139.719	171.4	130	225	122	18	14	6-M20X1.5
K11380/D11, K11380A/D11	380	196.869	235	130	298	122	20	16	6-M22X1.5
K11400/D8, K11400A/D8	400	139.719	171.4	130	225	122	18	14	6-M20X1.5
K11400/D11, K11400A/D11	400	196.869	235	130	298	122	20	16	6-M22X1.5
K11500/D11, K11500A/D11	500	196.869	235	190	298	135	-	16	6-M22X1.5
K11500/D15, K11500A/D15	500	285.775	330.2	200	403	135	21	17	6-M24X1.5
K11630/D11, K11630A/D11	630	196.869	235	190	298	160	-	16	6-M22X1.5
K11630/D15, K11630A/D15	630	285.775	330.2	260	403	160	21	17	6-M24X1.5
K11800A/D15	800	285.775	330.2	260	403	186	21	17	6-M24X1.5
K11800A/D20	800	412.775	463.6	385	546	186	23	19	6-M27X2



# KM31 SERIES ..... THREE-JAW

PRECISION ADJUSTABLE SELF-CENTERING CHUCKS

精密可调三爪自定心卡盘



## 说明 Explain

KM31系列精密可调三爪自定心卡盘，采用A型分离爪，具有可调结构，调整后的卡盘精密度可达到0.01mm， $\phi$  400mm的卡盘可达到0.02mm。

Adjustable precision 3-jaw self-centering chuck Km31 series are with 2-piece jaws and adjustable precision. After adjusting, the accuracy can be 0.01mm. And Km31400 can be 0.02mm.

## 规格表 Specifications

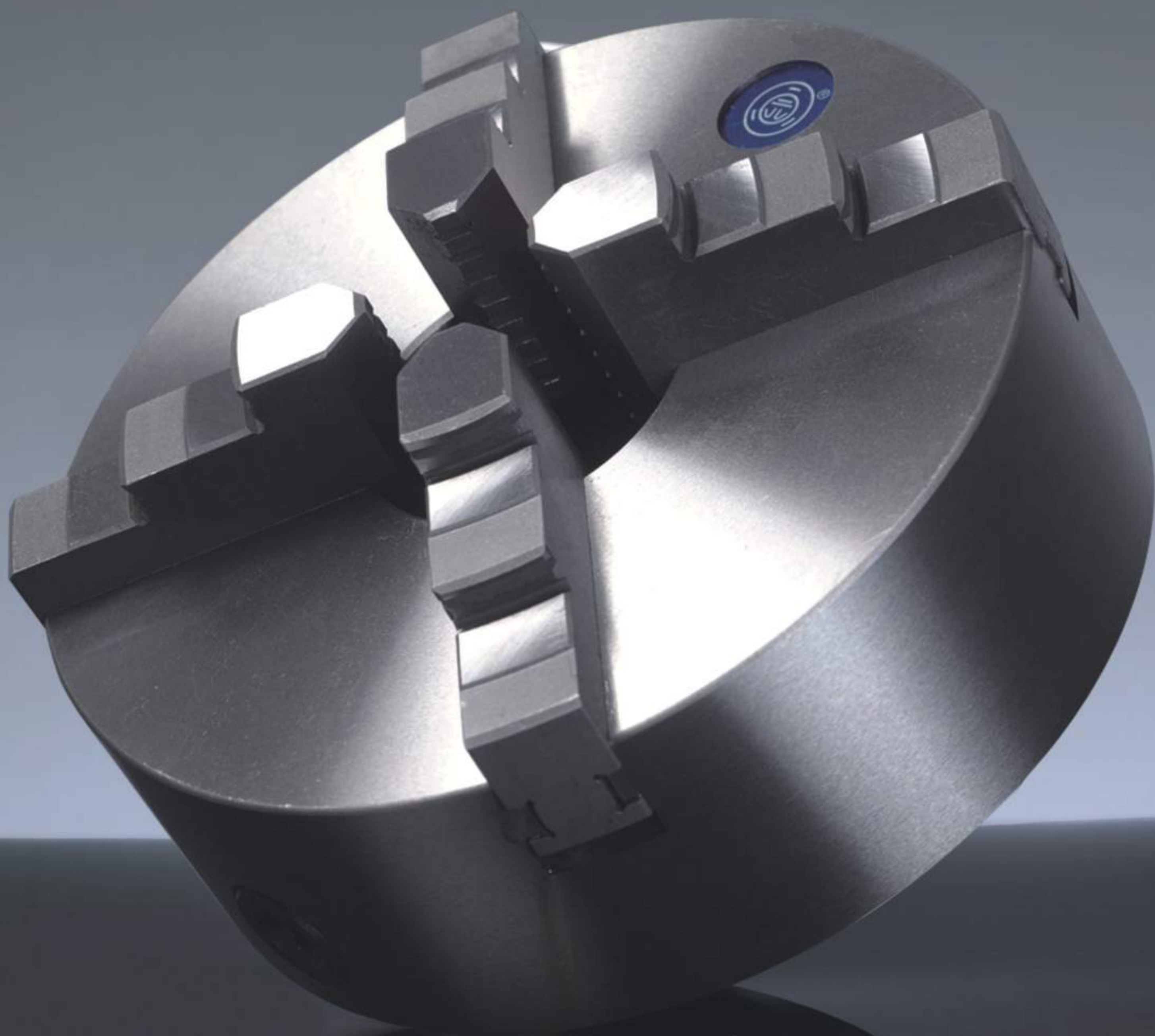
规格/型式 SEPC./MODEL	D	D1	D2	D3	H	H1	h	z-d
KM31160A	160	86	140	45	119	75	18.5	3-M10
KM31200A	200	110	160	55	132	85	19	3-M10
KM31250A	250	145	224	80	144.5	90	20	3-M12
KM31315A	317	180	286	104	158.5	100	20	3-M16
KM31400A	400	299.3	171.45	136	175	108	21	6-M16



4.

**FOUR-JAW**  
SELF-CENTRING CHUCK

四爪自定心卡盘 ▶

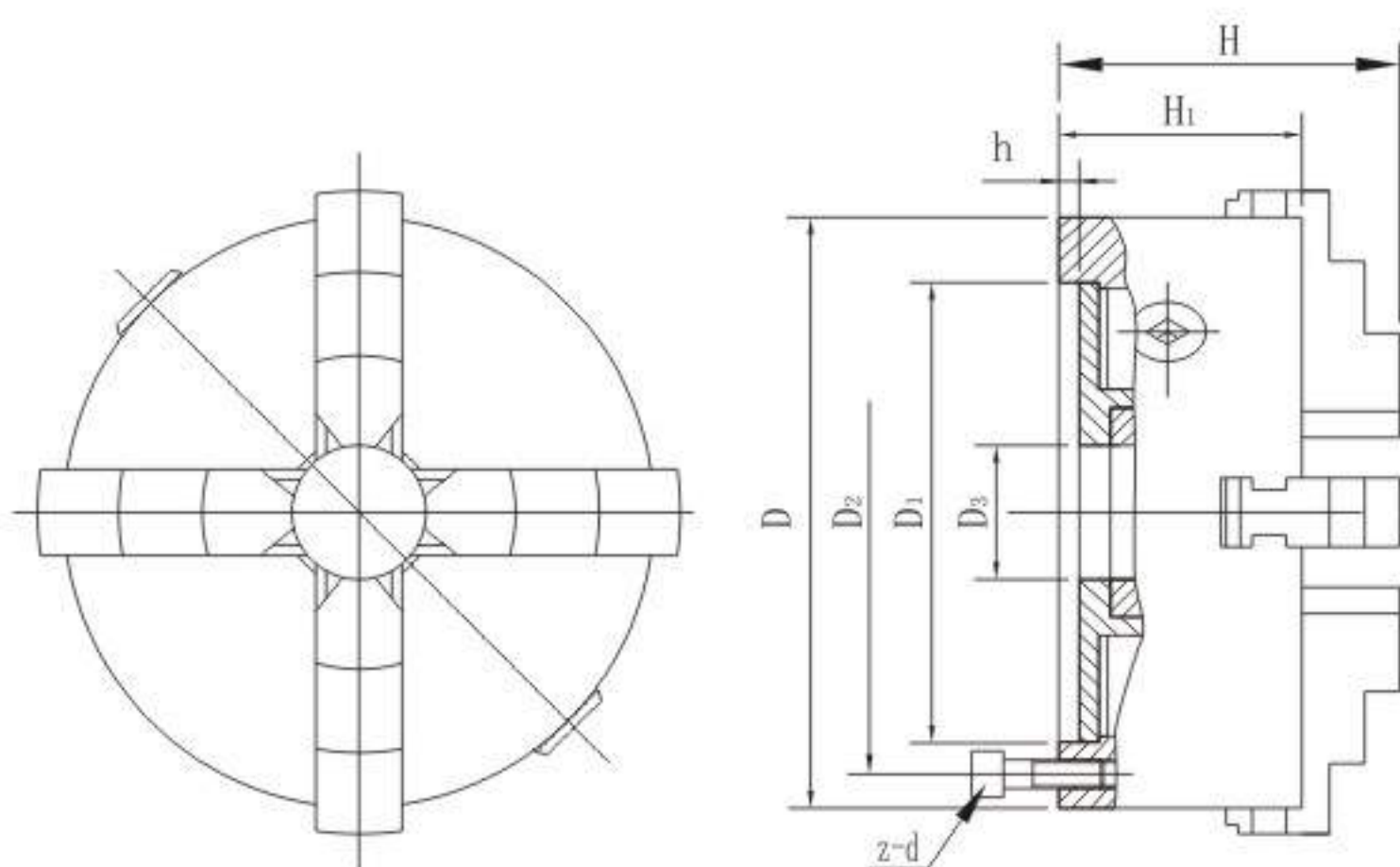




# K12 SERIES FOUR-JAW

## SELF-CENTRING CHUCK

## K12系列四爪自定心卡盘



### 说明 Explain

K12系列四爪自定心卡盘适用于具有一定批量的各种正方形、八棱型等零件的加工，可自动定心，快速夹紧。K12型配带正爪和反爪各一副，可分别使用。

K12 series Four-jaw Self-centring chuck is suitable for batch process of square, eight-square prism accessories and is self centring. Type K12 provides two sets of jaws in different directions, which can be used respectively, Type K12A provides ISO3442 standard jaws.

### 规格表 Specifications

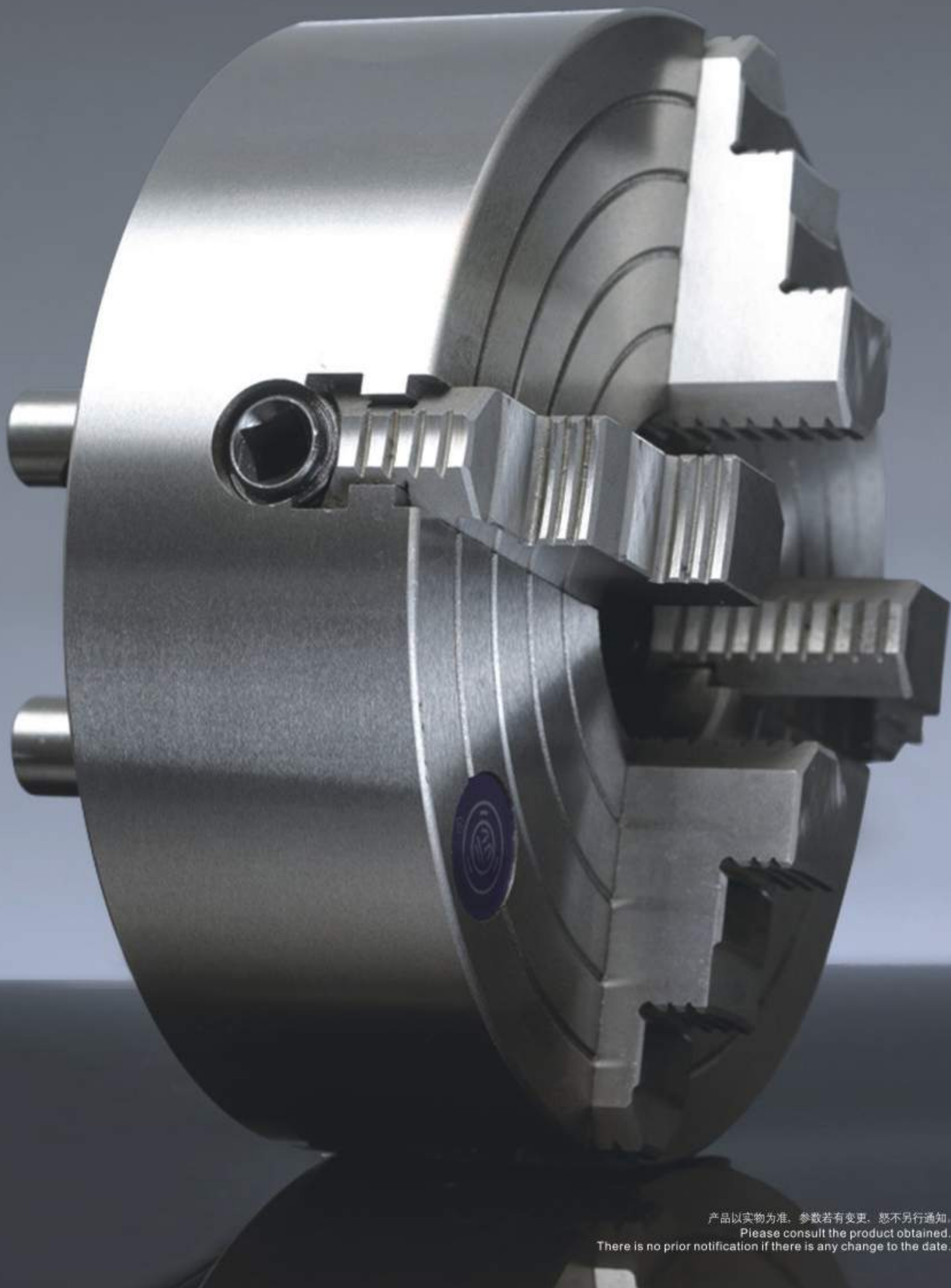
规格/型式 SEPC. / MODEL	D1	D2	D3	H	H <sub>1</sub>	h	z-d
K1280	55	66	16	66	50	3.5	3-M6
K12100	72	84	22	74.5	55	3.5	3-M8
K12125	95	108	30	85	58	4	3-M8
K12130	100	115	30	85	58	4	3-M8
K12160	130	142	40	95	65	5	3-M8
K12160A	130	142	40	109	65	5	3-M8
K12165	130	145	40	95	65	5	3-M8
K12165A	130	145	40	109	65	5	3-M8
K12190	155	172	55	109	75	5	3-M10
K12190A	155	172	55	122	75	5	3-M10
K12200	165	180	65	109	75	5	3-M10
K12200A	165	180	65	122	75	5	3-M10
K12240	195	215	70	120	80	8	3-M12
K12240	195	215	70	133	80	8	3-M12
K12250	206	226	80	120	80	5	3-M12
K12250	206	226	80	133	80	5	3-M12
K12315	260	285	100	142.5	90	6	3-M16
K12315A	260	285	100	155.5	90	6	3-M16
K12320	270	290	100	142.5	90	6	3-M16
K12320A	270	290	100	155.5	90	6	3-M16
K12325	272	296	100	142.5	90	6	3-M16
K12325A	272	296	100	155.5	90	6	3-M16
K12380	325	350	130	155.5	100	6	3-M16
K12380A	325	350	130	170.5	100	6	3-M16
K12400	340	368	130	155.5	100	6	3-M16
K12400A	340	368	130	170.5	100	6	3-M16
K12500	440	465	200	176	115	6	6-M16
K12500A	440	465	200	203	115	6	6-M16
K12630	560	595	260	192	130	7	6-M16
K12630A	560	595	260	218	130	7	6-M16
K12800A	710	760	385	249	148	8	6-M20
K121000A	910	950	460	266	165	8	6-M24



# 4.

## FOUR-JAW INDEPENDENT CHUCK

### 四爪单动卡盘 ▶

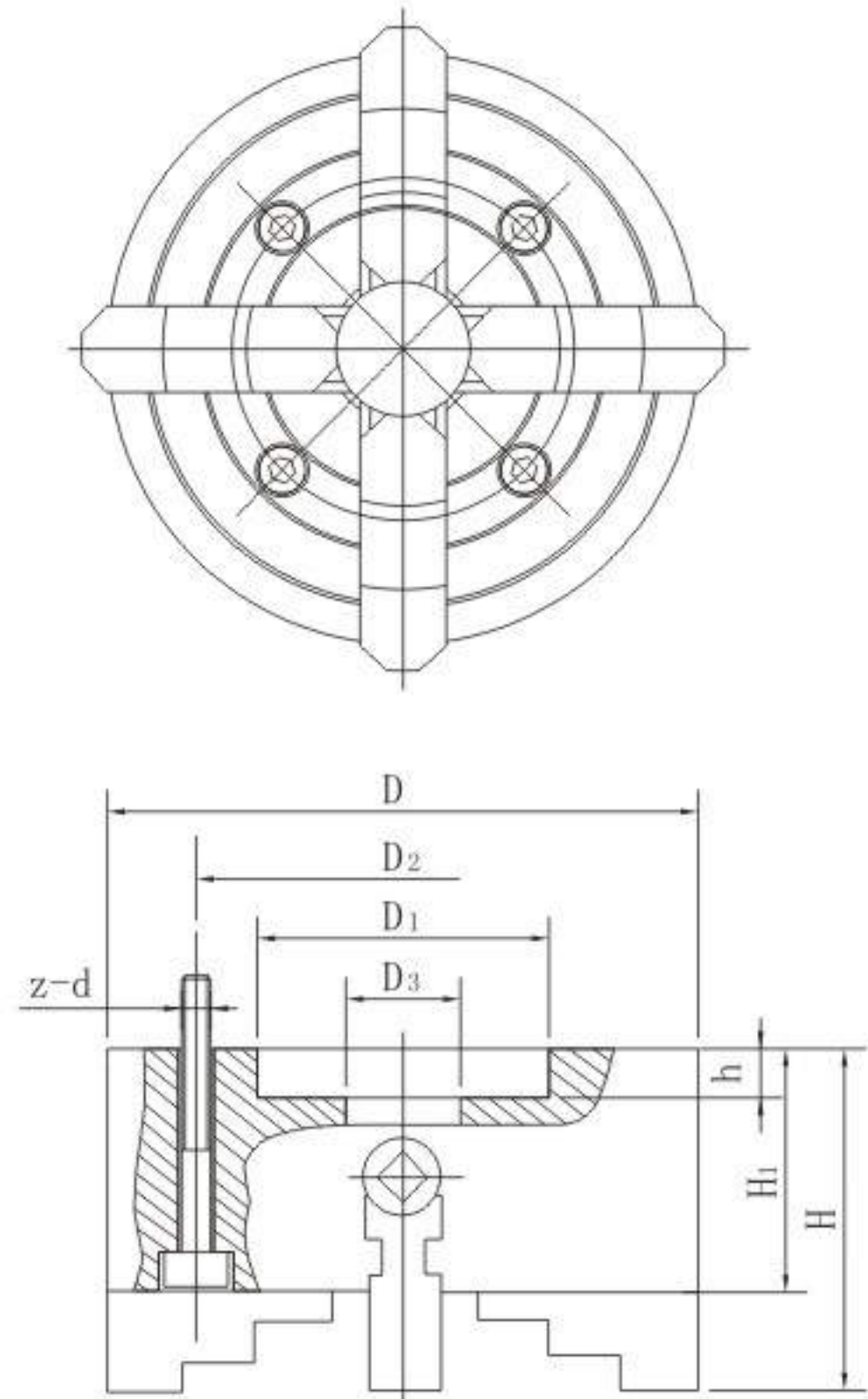




# K72 SERIES ..... FOUR-JAW

## INDEPENDENT CHUCK

## K72系列四爪单动卡盘



### 说明 Explain

K72系列四爪单动卡盘采用短圆柱型和短圆锥型。短圆锥型按其于机床主轴端连接式分为A型(穿通螺钉连接)、C型(拔盘、螺栓锁紧连接)、D型(拉杆、凸轮锁紧连接)三种型式。

K72 series Four-jaw independent chuck adopts short cylinder and short circular cone shape. Short circular cone shape can be subdivided into two types according to the way of joining with the spindle nose of machine tool: Type A (joined with screw), Type C (bolt locking joint), Type D (pull rod, cam locking joint).

### 规格表 Specifications

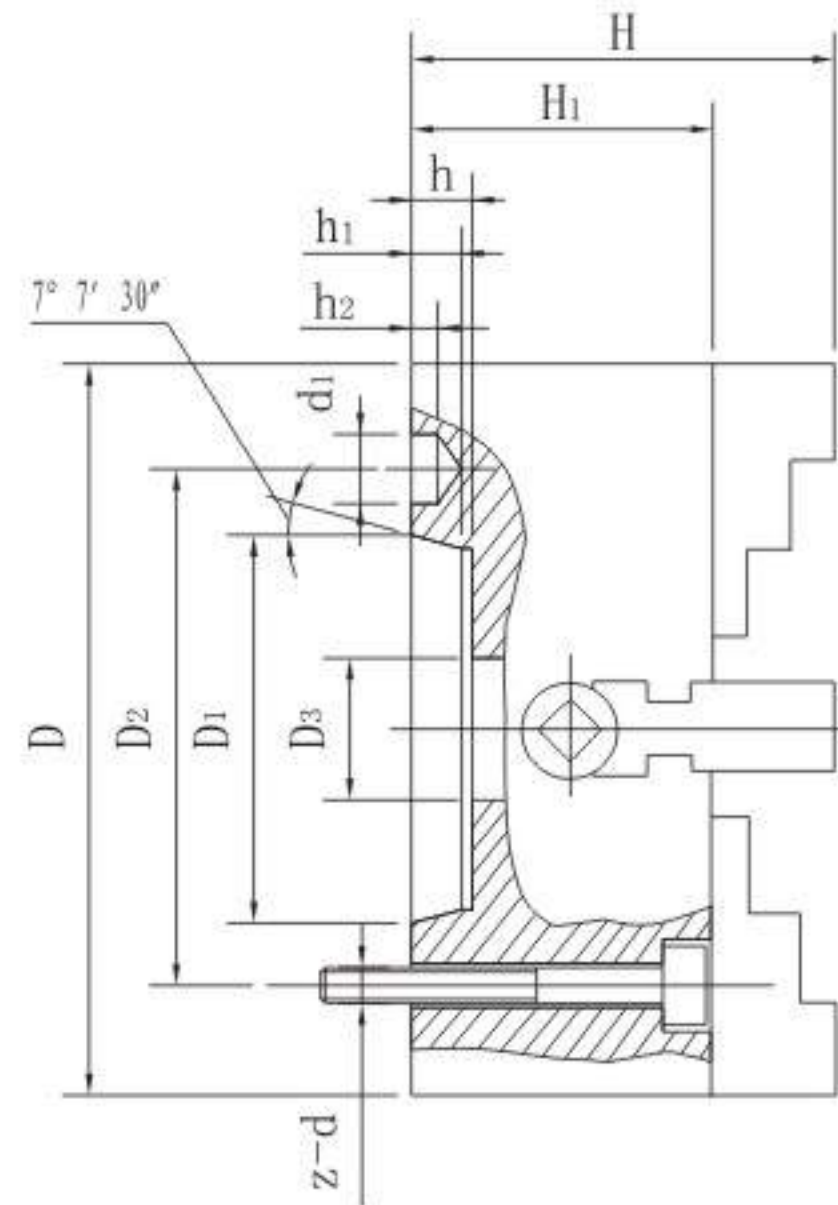
— : 短圆柱型  
One/Short cylinder type

规格/型式 SEPC./MODEL	D1	D2	D3	H	H <sub>1</sub>	h	z-d
K7280	55	66	22	59	43	4	4-M6
K72100	72	84	25	77	54	4	4-M8
K72125	95	108	30	78	56	5	4-M8
K72160	65	95	45	93	65	5	4-M10
K72200	75	95	55	107	75	6	4-M10
K72250	110	130	75	120	80	6	4-M12
K72315/K72320	140	165	95	138	90	6	4-M16
K72350	140	168	95	138	90	6	4-M16
K72400	160	185	125	143	95	8	4-M16
K72500	200	236	160	160	105	8	4-M20
K72520	260	300	205	160	105	10	4-M16
K72630	220	258	180	180	116	10	4-M20
K72800	250	300	210	210	135	12	8-M20
K721000	320	370	260	241	150	15	8-M20
K721250	400	500	305	256	165	15	8-M20



# K72 SERIES ..... FOUR-JAW

# INDEPENDENT CHUCK K72系列四爪单动卡盘



## 说明 Explain

K72系列四爪单动卡盘采用短圆柱型和短圆锥型。短圆锥型按其于机床主轴端部连接式分为A型(穿通螺钉连接)、C型(拔盘、螺栓锁紧连接)、D型(拉杆、凸轮锁紧连接)三种型式。

K72 series Four-jaw independent chuck adopts short cylinder and short circular cone shape. Short circular cone shape can be subdivided into two types according to the way of joining with the spindle nose of machine tool: Type A (joined with screw), Type C (bolt locking joint), Type D (pull rod, cam locking joint).

## 规格表 Specifications

二：A型：穿通螺钉连接  
Two/Type A: Joined with screw

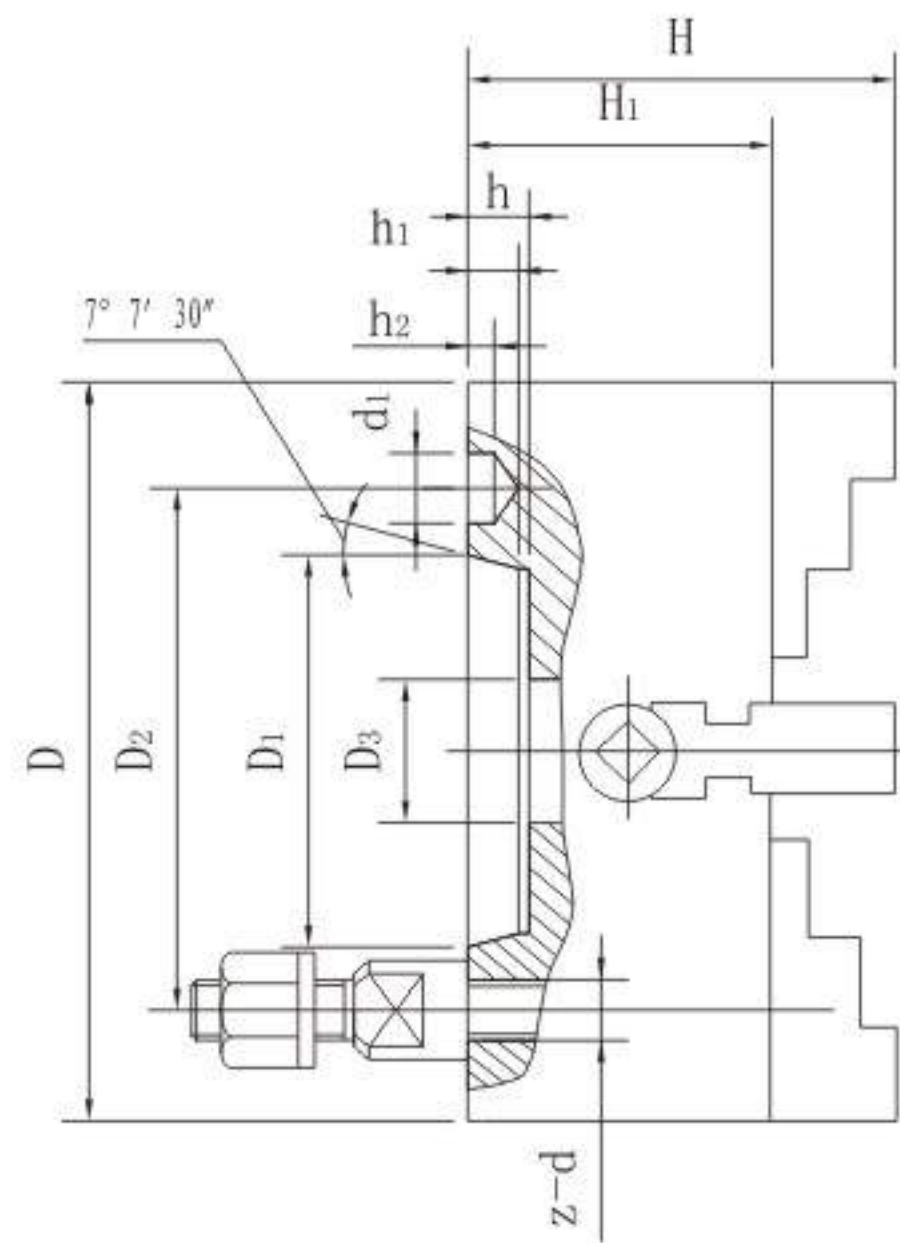
规格/型式 SEPC./MODEL	D1	D2	D3	H	H1	h	h1	h2	d1	z-d
K72160/A2-4	63.513	82.6	45	93	65	13	10	6.5	14.7	4-M10
K72200/A2-4	63.513	82.6	56	107	75	13	10	6.5	14.7	4-M10
K72250/A2-4	63.513	82.6	61	120	80	13	10	6.5	14.7	4-M10
K72320/A2-4	63.513	82.6	61	138	90	-	10	6.5	14.7	4-M10
K72200/A2-6	106.375	133.4	56	107	75	16	13	6.5	19.5	4-M12
K72250/A2-6	106.375	133.4	75	120	80	16	13	6.5	19.5	4-M12
K72320/A2-6	106.375	133.4	95	138	90	16	13	6.5	19.5	4-M12
K72400/A2-6	106.375	133.4	95	143	95	16	13	6.5	19.5	4-M12
K72500/A2-6	106.375	133.4	103	160	105	-	13	6.5	19.5	4-M12
K72520/A2-8	139.719	171.4	75	120	80	18	14	8	24.2	4-M16
K72320/A2-8	139.719	171.4	95	138	90	18	14	8	24.2	4-M16
K72400/A2-8	139.719	171.4	125	143	95	18	14	8	24.2	4-M16
K72500/A2-8	139.719	171.4	136	160	105	-	14	8	24.2	4-M16
K72320/A2-11	196.869	235	95	138	90	20	16	10	29.4	4-M20
K72400/A2-11	196.869	235	125	143	95	20	16	10	29.4	4-M20
K72520/A2-11	196.869	235	160	160	105	20	16	10	29.4	4-M20
K72630/A2-11	196.869	235	180	180	115	20	16	10	29.4	4-M20
K72500/A2-15	285.775	330.2	160	160	105	21	17	10	35.7	4-M24
K72630/A2-15	285.775	330.2	180	180	115	21	17	10	35.7	4-M24



# K72 SERIES ..... FOUR-JAW

## INDEPENDENT CHUCK

## K72系列四爪单动卡盘



### 说明 Explain

K72系列四爪单动卡盘采用短圆柱型和短圆锥型。短圆锥型按其和机床主轴端部连接式分为A型(穿通螺钉连接)、C型(拨盘、螺栓锁紧连接)、D型(拉杆、凸轮锁紧连接)三种型式。

K72 series Four-jaw independent chuck adopts short cylinder and short circular cone shape. Short circular cone shape can be subdivided into two types according to the way of joining with the spindle nose of machine tool: Type A (joined with screw), Type C (bolt locking joint), Type D (pull rod, cam locking joint).

### 规格表 Specifications

三：C型：拨盘螺栓锁紧连接  
Three/Type C: Bolt locking joint

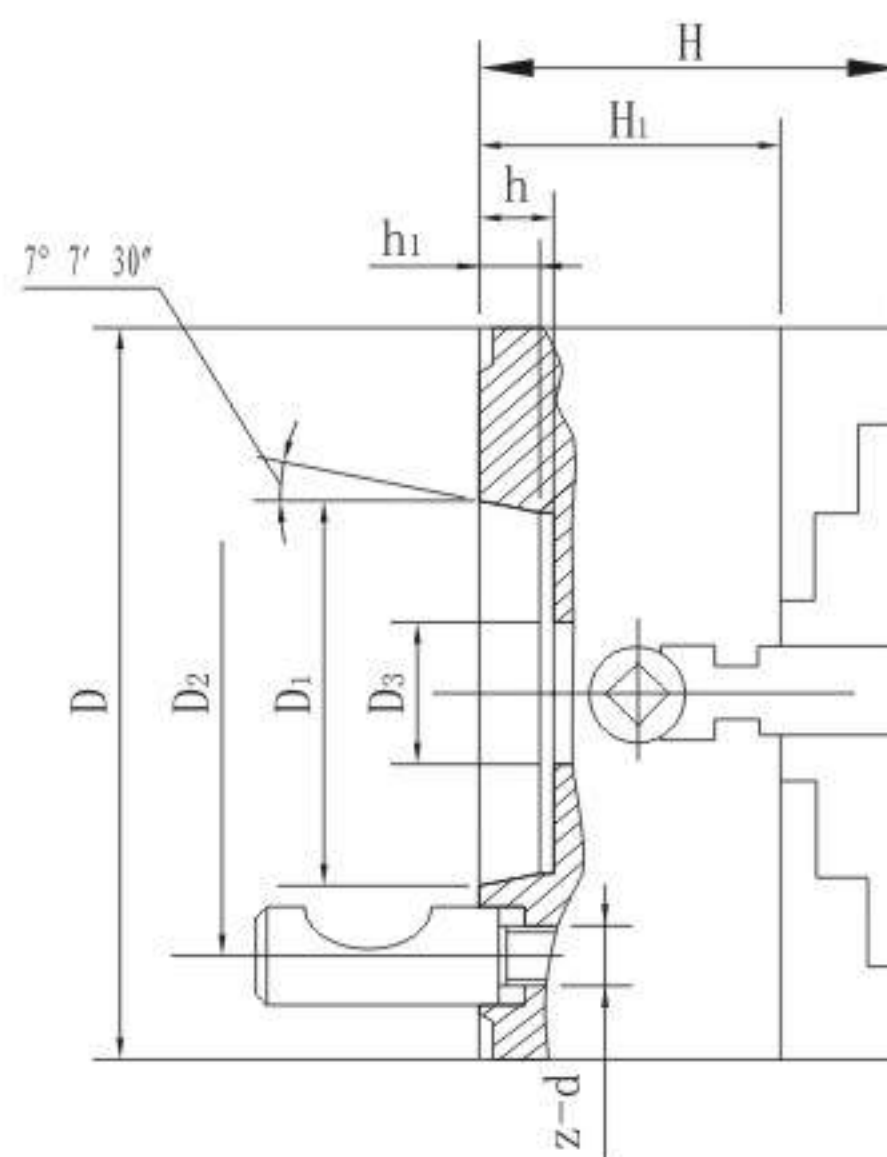
规格/型式 SEPC./MODEL	D1	D2	D3	H	H1	h	h1	h2	d1	z-d
K72160/C4	63.513	82.6	45	93	65	13	10	6.5	14.7	3-M10
K72200/C4	63.513	82.6	56	107	75	13	10	6.5	14.7	3-M10
K72250/C4	63.513	82.6	61	120	80	-	10	6.5	14.7	3-M10
K72320/C4	63.513	82.6	61	138	90	-	10	6.5	14.7	3-M10
K72200/C6	106.375	133.4	56	107	75	16	13	6.5	19.5	4-M12
K72250/C6	106.375	133.4	75	120	80	16	13	6.5	19.5	4-M12
K72320/C6	106.375	133.4	95	138	90	16	13	6.5	19.5	4-M12
K72400/C6	106.375	133.4	95	143	95	16	13	6.5	19.5	4-M12
K72500/C6	106.375	133.4	103	160	105	-	13	6.5	19.5	4-M12
K72520/C8	139.719	171.4	75	120	80	18	14	8	24.2	4-M16
K72320/C8	139.719	171.4	95	138	90	18	14	8	24.2	4-M16
K72400/C8	139.719	171.4	125	143	95	18	14	8	24.2	4-M16
K72500/C8	139.719	171.4	136	160	105	-	14	8	24.2	4-M16
K72320/C11	196.869	235	95	138	90	20	16	10	29.4	6-M20
K72400/C11	196.869	235	125	143	95	20	16	10	29.4	6-M20
K72500/C11	196.869	235	160	160	105	20	16	10	29.4	6-M20
K72500/C15	285.775	330.2	160	160	105	21	17	10	35.7	6-M20



# K72 SERIES ..... FOUR-JAW

## INDEPENDENT CHUCK

## K72系列四爪单动卡盘



### 说明 Explain

K72系列四爪单动卡盘采用短圆柱型和短圆锥型。短圆锥型按其与机床主轴端部连接式分为A型(穿通螺钉连接)、C型(拔盘、螺栓锁紧连接)、D型(拉杆、凸轮锁紧连接)三种型式。

K72 series Four-jaw independent chuck adopts short cylinder and short circular cone shape. Short circular cone shape can be subdivided into two types according to the way of joining with the spindle nose of machine tool: Type A (joined with screw), Type C (bolt locking joint), Type D (pull rod, cam locking joint).

### 规格表 Specifications

四：D型：拉杆、凸轮锁紧连接  
Four/Type D: pull rod, cam locking joint

规格/型式 SEPC. / MODEL	D1	D2	D3	H	H1	h	h1	z-d
K72200/D4	63.513	82.6	56	107	75	13	10	3-M10X1
K72250/D4	63.513	82.6	61	120	80	-	10	3-M10X1
K72320/D4	63.513	82.6	61	138	90	-	10	3-M10X1
K72250/D6	106.375	133.4	75	120	80	16	13	6-M16X1.5
K72320/D6	106.375	133.4	95	138	90	16	13	6-M16X1.5
K72400/D6	106.375	133.4	95	143	95	16	13	6-M16X1.5
K72500/D6	106.375	133.4	103	160	105	-	13	6-M16X1.5
K72320/D8	139.719	171.4	95	138	90	18	14	6-M20X1.5
K72400/D8	139.719	171.4	125	143	95	18	14	6-M20X1.5
K72500/D8	139.719	171.4	136	160	105	-	14	6-M20X1.5
K72400/D11	196.869	235	125	143	95	20	16	6-M22X1.5
K72500/D11	196.869	235	160	160	105	20	16	6-M22X1.5
K72630/D11	196.869	235	180	180	115	20	16	6-M22X1.5
K72500/D15	285.775	330.2	160	160	105	21	17	6-M24X1.5
K72630/D15	285.775	330.2	180	180	115	21	17	6-M24X1.5



# TK21 THREE-JAW

## FRONT THREE-JAW CHUCK

### 前穿式三爪卡盘



#### 说明 Explain

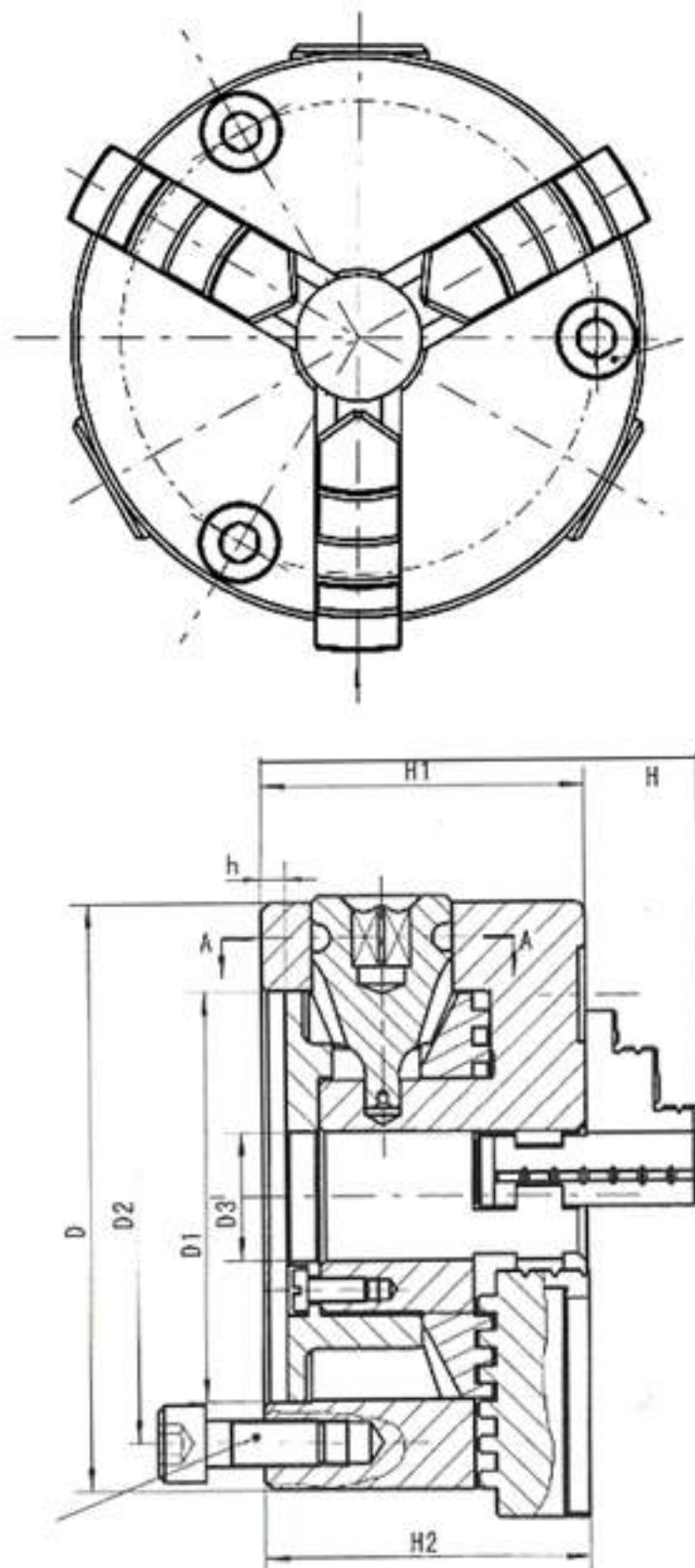
- 前穿式三爪卡盘，是在普通卡盘基础上进行改进，采用前穿螺母锁紧，比起传统结构的卡盘使用的便捷性上有很大的提升。为方便客户使用，同时提供配套的软爪选购。

- Front three-jaw chuck, which is modified based on the common chuck, is fastened by front screws. Compared to traditional chucks, its convenience is largely improved. In order to make the use more convenient, it also is optional equipped with soft jaw.

#### 规格表 Specifications

型号/规格

SEPC. /MODEL	D1	D2	D3	H	H1	H2	h	z-d
TK2180	55	66	16	66	50	-	3.5	3-M6
TK21100	72	84	22	74.5	55	-	3.5	3-M8
TK21125	95	108	30	85	58	-	4	3-M8
TK21130	100	115	30	85	58	-	4	3-M8
TK21160	130	142	40	95	65	-	5	3-M8
TK21160A	130	142	40	109	65	71	5	3-M8
TK21165	130	145	40	95	65	-	5	3-M8
TK21165A	130	145	40	109	65	71	5	3-M8
TK21190	155	172	55	109	75	-	5	3-M10
TK21190A	155	172	55	122	75	80	5	3-M10
TK21200	165	180	65	109	75	-	5	3-M10
TK21200A	165	180	65	122	75	80	5	3-M10
TK21240	195	215	70	120	80	-	8	3-M12
TK21240A	195	215	70	133	80	85	8	3-M12
TK21250	206	226	80	120	80	-	5	3-M12
TK21250A	206	226	80	133	80	85	5	3-M12
TK21315	260	285	100	142.5	90	-	6	3-M16
TK21315A	260	285	100	155.5	90	96.5	6	3-M16
TK21320	270	290	100	142.5	90	-	6	3-M16
TK21320A	270	290	100	155.5	90	96.5	6	3-M16
TK21325	272	296	100	142.5	90	-	6	3-M16
TK21325A	272	296	100	155.5	90	96.5	6	3-M16
TK21380	325	350	130	155.5	100	-	6	3-M16
TK21380A	325	350	130	170.5	100	96.5	6	3-M16
TK21400	340	368	130	155.5	100	-	6	3-M16
TK21400A	340	368	130	170.5	100	108.5	6	3-M16
TK21500	440	465	200	176	115	-	6	6-M16
TK21500A	440	465	200	203	115	123	6	6-M16
TK21630	560	595	260	192	130	-	7	6-M16
TK21630A	560	595	260	218	130	138	7	6-M16
TK21800A	710	760	385	249	148	158	8	6-M20
TK211000A	910	950	460	266	165	-	8	6-M24
TK211250A	910	950	500	281	180	-	10	6-M24

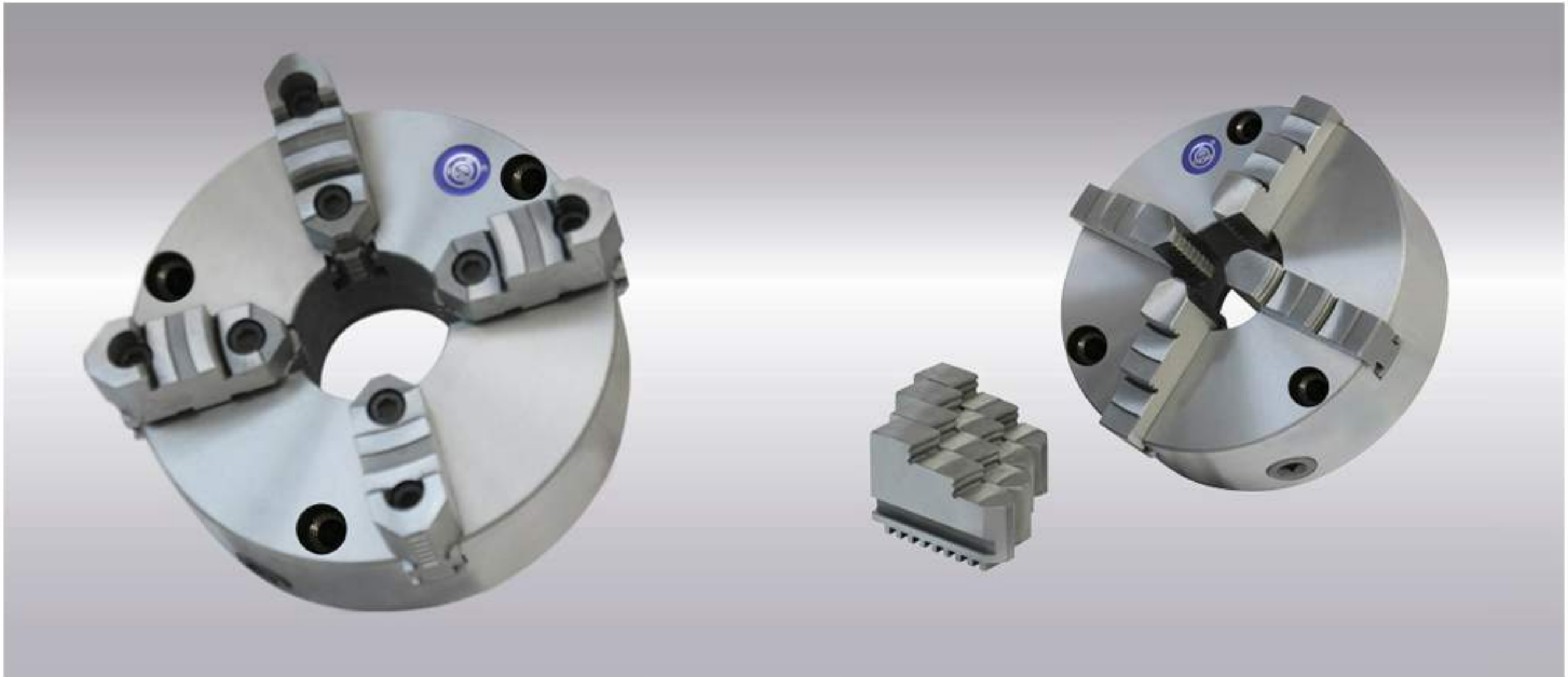




# TK22 FOUR-JAW

## FRONT FOUR-JAW SELF-CENTERING CHUCK

## 前穿式四爪自定心卡盘

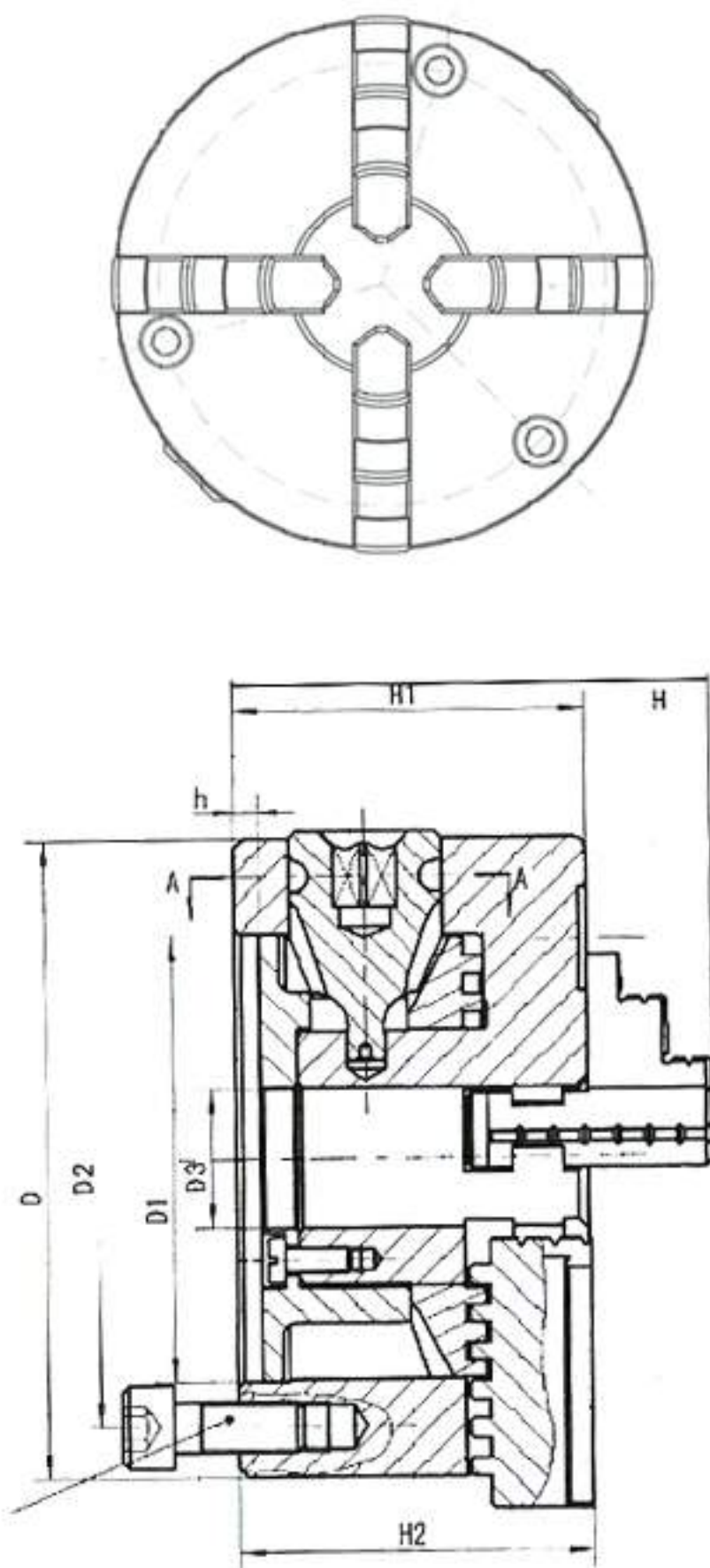


### 说明 Explain

- 前穿式四爪自定心卡盘，是在普通卡盘基础上进行改进，采用前穿螺母锁紧，比起传统结构的卡盘使用的便捷性上有很大的提升。为方便客户使用，同时提供配套的软爪选购。

- Front four-jaw self-centering chuck, which is modified based on the common chuck, is fastened by front screws. Compared to traditional chucks, its convenience is largely improved. In order to make the use more convenient, it also is optional equipped with soft jaw.

### 规格表 Specifications



型号/规格 SEPC./MODEL	D1	D2	D3	H	H1	H2	h	z-d
TK2180	55	66	16	66	50	-	3.5	3-M6
TK21100	72	84	22	74.5	55	-	3.5	3-M8
TK21125	95	108	30	85	58	-	4	3-M8
TK21130	100	115	30	85	58	-	4	3-M8
TK21160	130	142	40	95	65	-	5	3-M8
TK21160A	130	142	40	109	65	71	5	3-M8
TK21165	130	145	40	95	65	-	5	3-M8
TK21165A	130	145	40	109	65	71	5	3-M8
TK21190	155	172	55	109	75	-	5	3-M10
TK21190A	155	172	55	122	75	80	5	3-M10
TK21200	165	180	65	109	75	-	5	3-M10
TK21200A	165	180	65	122	75	80	5	3-M10
TK21240	195	215	70	120	80	-	8	3-M12
TK21240A	195	215	70	133	80	85	8	3-M12
TK21250	206	226	80	120	80	-	5	3-M12
TK21250A	206	226	80	133	80	85	5	3-M12
TK21315	260	285	100	142.5	90	-	6	3-M16
TK21315A	260	285	100	155.5	90	96.5	6	3-M16
TK21320	270	290	100	142.5	90	-	6	3-M16
TK21320A	270	290	100	155.5	90	96.5	6	3-M16
TK21325	272	296	100	142.5	90	-	6	3-M16
TK21325A	272	296	100	155.5	90	96.5	6	3-M16
TK21380	325	350	130	155.5	100	-	6	3-M16
TK21380A	325	350	130	170.5	100	96.5	6	3-M16
TK21400	340	368	130	155.5	100	-	6	3-M16
TK21400A	340	368	130	170.5	100	108.5	6	3-M16
TK21500	440	465	200	176	115	-	6	6-M16
TK21500A	440	465	200	203	115	123	6	6-M16
TK21630	560	595	260	192	130	-	7	6-M16
TK21630A	560	595	260	218	130	138	7	6-M16
TK21800A	710	760	385	249	148	158	8	6-M20
TK211000A	910	950	460	266	165	-	8	6-M24
TK211250A	910	950	500	281	180	-	10	6-M24



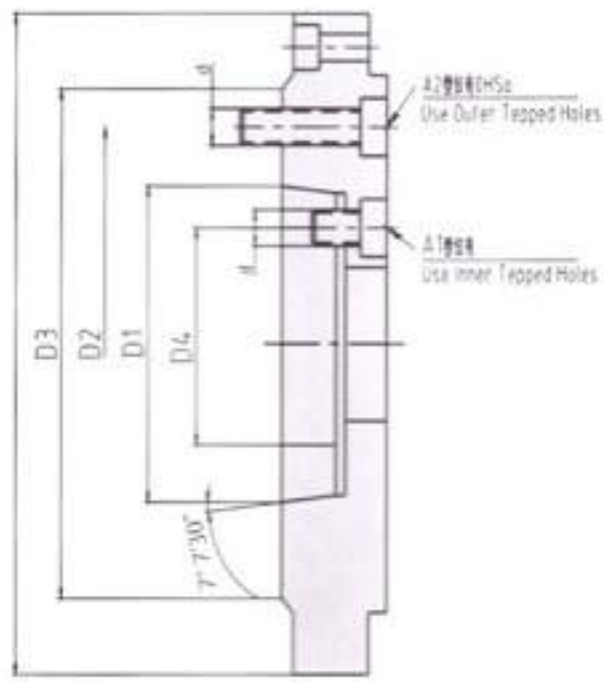
FLANGE PLATE FOR MACHINE TOOL

FLANGE PLATE FOR MACHINE TOOL A2-TYPE

机床用法兰盘 A2型



说明 Explain



A型 (A1,A2)

- 我公司为客户提供各种连接法兰，如有需要请咨询我公司销售人员。
- Our company provide all kinds of joint flanges, you can consult our sales for any needs.

法兰型号 / Flange type	D	D1	D2	D3	D4	d
FL160A2-4	160	63.513	82.6	108	-	-
FL160A2-5	160	82.563	104.8	133	61.9	-
FL200A2-4	200	63.513	82.6	108	-	-
FL200A2-5	200	82.563	104.8	133	61.9	-
FL200A2-6	200	106.375	133.4	165	82.6	-
FL250A2-6	250	106.375	133.4	165	82.6	-
FL250A2-8	250	139.719	171.4	210	111.1	-
FL320A2-6	320	106.375	133.4	165	82.6	-
FL320A2-8	320	139.719	171.4	210	111.1	-
FL320A2-11	320	196.869	235	280	165.1	-
FL400A2-8	400	139.719	171.4	210	111.1	-
FL400A2-11	400	196.869	235	280	165.1	-
FL500A2-11	500	196.869	235	280	165.1	-
FL630A2-11	630	196.869	235	280	165.1	-
FL630A2-15	630	285.775	330.2	380	247.6	-



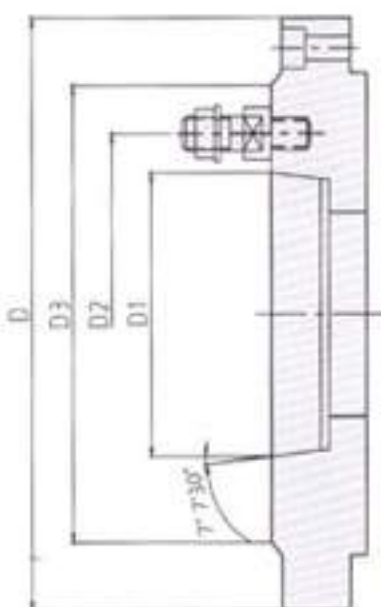
FLANGE PLATE FOR MACHINE TOOL

FLANGE PLATE FOR MACHINE TOOL C-TYPE

机床用法兰盘 C型



说明 Explain



C型

- 我公司为客户提供各种连接法兰，如有需要请咨询我公司销售人员。
- Our company provide all kinds of joint flanges, you can consult our sales for any needs.

法兰型号 / Flange type	D	D1	D2	D3	D4	d
FL160C3	160	53.975	75	102	-	-
FL160C4	160	63.513	85	112	-	-
FL160C5	160	82.563	104.8	135	-	-
FL200C4	200	63.513	85	112	-	-
FL200C5	200	82.563	104.8	135	-	-
FL200C6	200	106.375	133.4	170	-	-
FL250C6	250	106.375	133.4	170	-	-
FL250C8	250	139.719	171.4	220	-	-
FL320C6	320	106.375	133.4	170	-	-
FL320C8	320	139.719	171.4	220	-	-
FL320C11	320	196.869	235	290	-	-
FL400C8	400	139.719	171.4	220	-	-
FL400C11	400	196.869	235	290	-	-
FL500C11	500	196.869	235	290	-	-
FL630C11	630	196.869	235	290	-	-
FL630C15	630	285.775	330.2	400	-	-



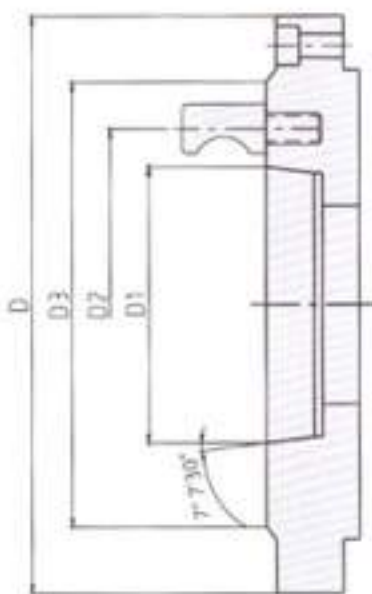
FLANGE PLATE FOR MACHINE TOOL

FLANGE PLATE FOR MACHINE TOOL. D-TYPE

机床用法兰盘 D型



说明 Explain



D型

- 我公司为客户提供各种连接法兰，如有需要请咨询我公司销售人员。
- Our company provide all kinds of joint flanges, you can consult our sales for any needs.

法兰型号 / Flange type	D	D1	D2	D3	D4	d
FL160D3	160	53.975	70.6	92	-	-
FL160D4	160	63.513	82.6	117	-	-
FL160D5	160	82.563	104.8	146	-	-
FL200D4	200	63.513	82.6	117	-	-
FL200D5	200	82.563	104.8	146	-	-
FL200D6	200	106.375	133.4	181	-	-
FL250D6	250	106.375	133.4	181	-	-
FL250D8	250	139.719	171.4	225	-	-
FL320D6	320	106.375	133.4	181	-	-
FL320D8	320	139.719	171.4	225	-	-
FL320D11	320	196.869	235	298	-	-
FL400D8	400	139.719	171.4	225	-	-
FL400D11	400	196.869	235	298	-	-
FL500D11	500	196.869	235	298	-	-
FL630D11	630	196.869	235	298	-	-
FL630D15	630	285.775	330.2	403	-	-



www.zjyuanpai.com



## 浙江园牌机床附件有限公司

ZHEJIANG YUANPAI MACHINE TOOL ACCESSORY CO., LTD

地址:浙江省台州市经济开发区经一路818号

Add: no.818 jingyi road. Taizhou Economic Development Area, Zhejiang Province, China

Hot-wire Tel: +86-576-88529189 88523568

Fax: +86-576-88529180 88523518

Postcode: 318000

<http://www.zjyuanpai.com>

E-mail For Export: [chuck@zjyuanpai.com](mailto:chuck@zjyuanpai.com)

E-mail: [zjyuanpai@sina.com](mailto:zjyuanpai@sina.com)